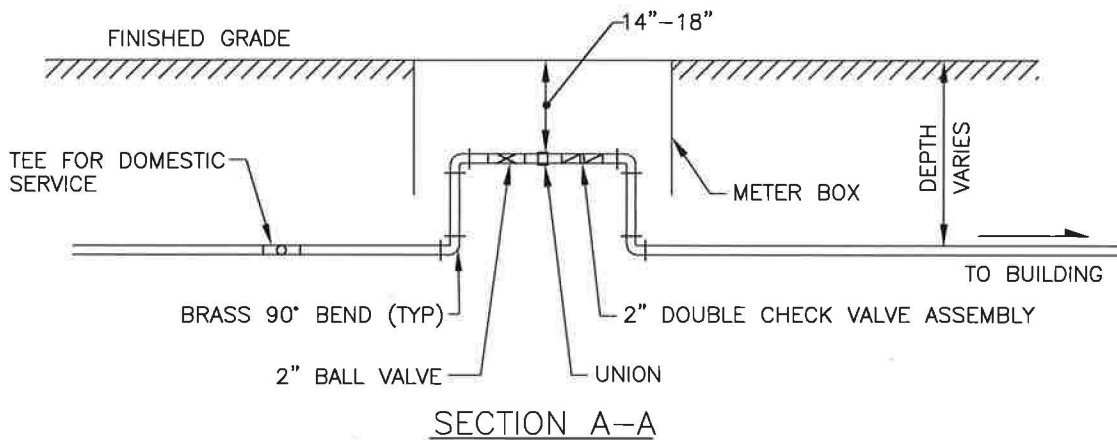
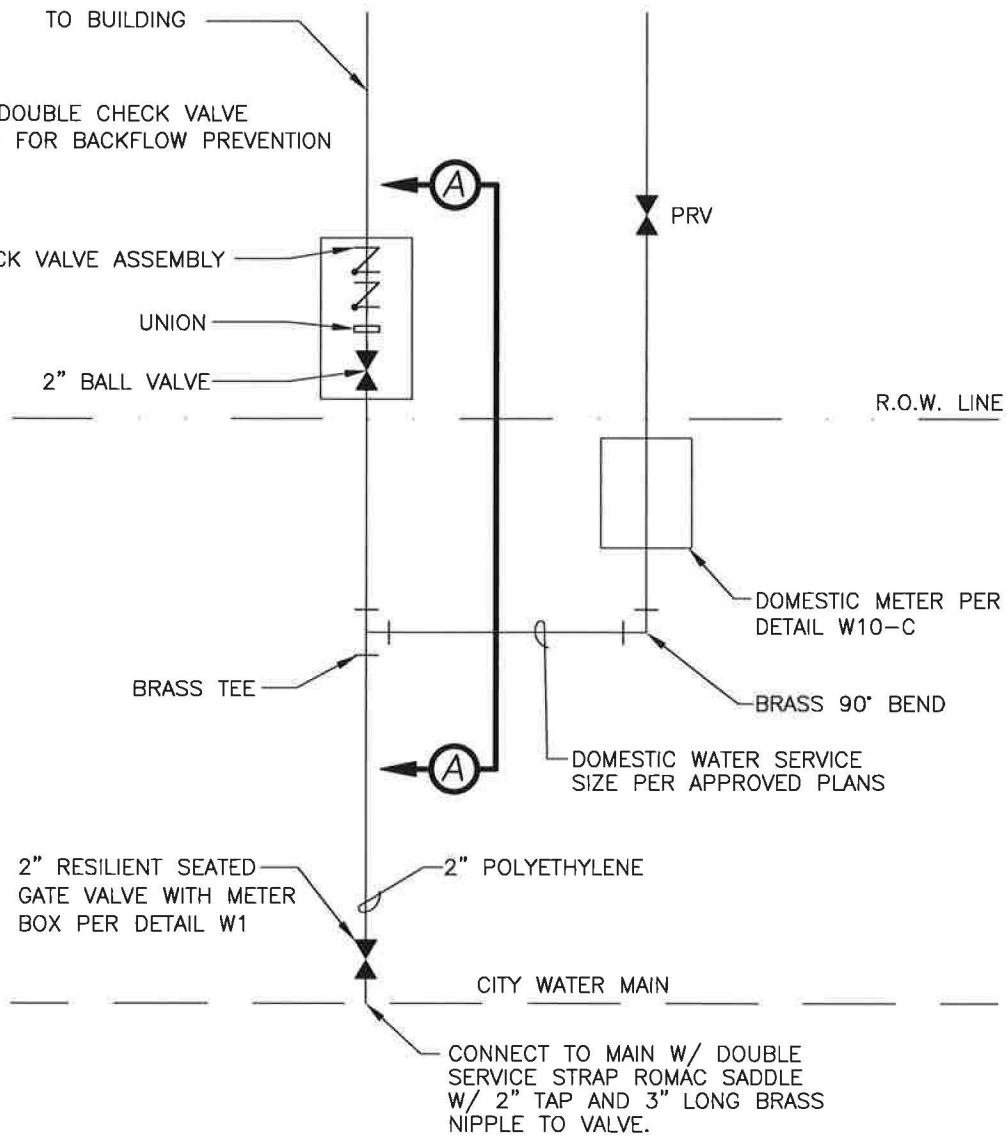


NOTE:
DOH APPROVED DOUBLE CHECK VALVE ASSEMBLY REQ'D FOR BACKFLOW PREVENTION WITHIN BUILDING



Dwg No:	W22
2" FIRE SPRINKLER LINE WITH DOMESTIC SERVICE FOR COMMERCIAL / MULTIFAMILY	

Approved <i>[Signature]</i>	March 16, 2018
City Engineer	Date
WATER STANDARD DETAIL	

