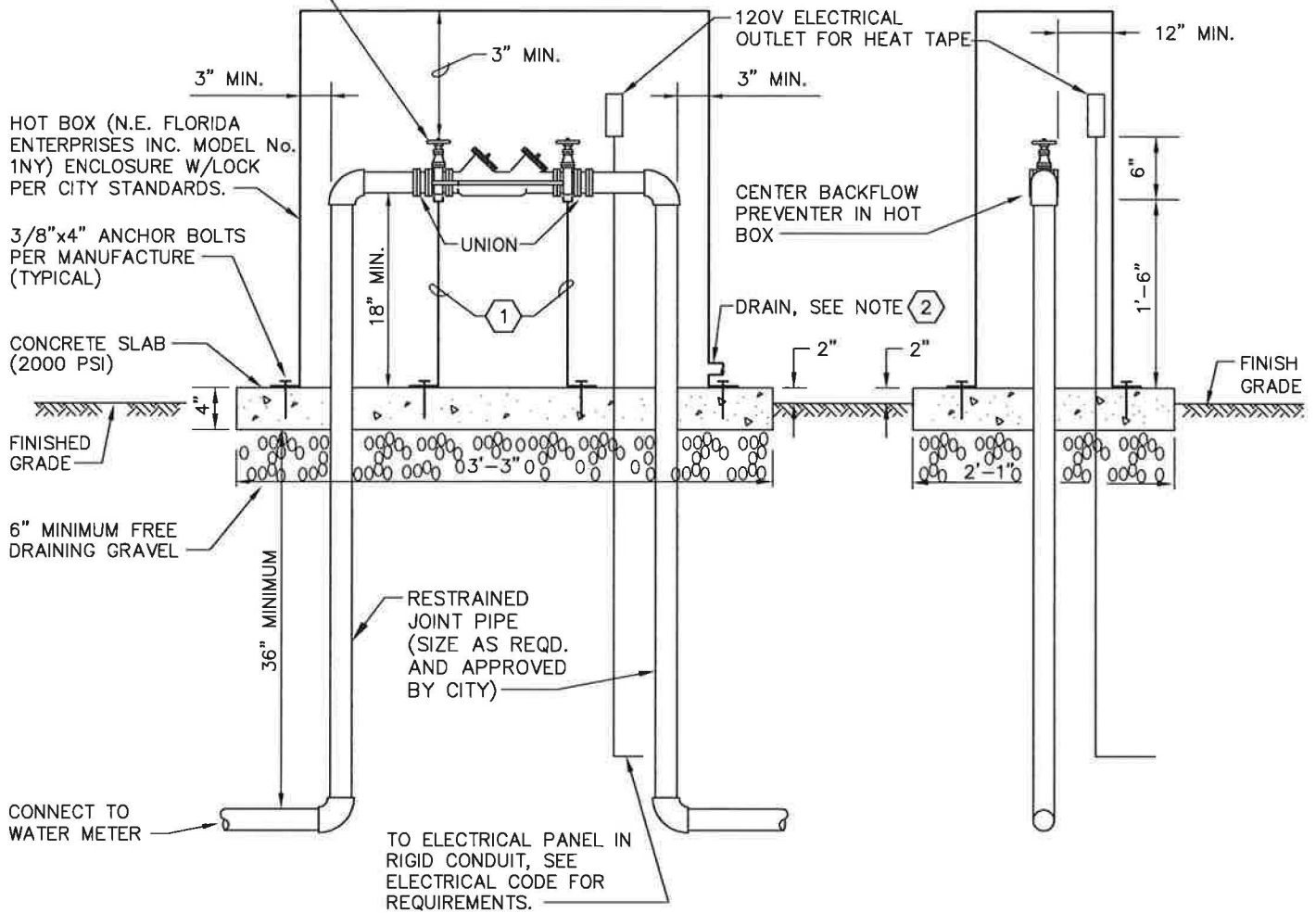


REDUCED PRESSURE BACKFLOW ASSEMBLY
(WA STATE DOH APPROVED)



REDUCED PRESSURE BACKFLOW ASSEMBLY
NOT TO SCALE

- (1) GRINNELL PIPE STANCHION OR APPROVED EQUAL FOR 2 1/2" AND LARGER DEVICES.
- (2) DRAIN TO BE SIZED AS PER WA STATE DOH REQUIREMENTS

NOTES:

- 1. A 2' (MINIMUM) LEVEL, UNOBSTRUCTED AREA AROUND THE ENCLOSURE SHALL BE MAINTAINED.

Approved:  March 16, 2018
City Engineer Date



Dwg No:

W20

WATER STANDARD DETAIL

REDUCED PRESSURE BACKFLOW ASSEMBLY