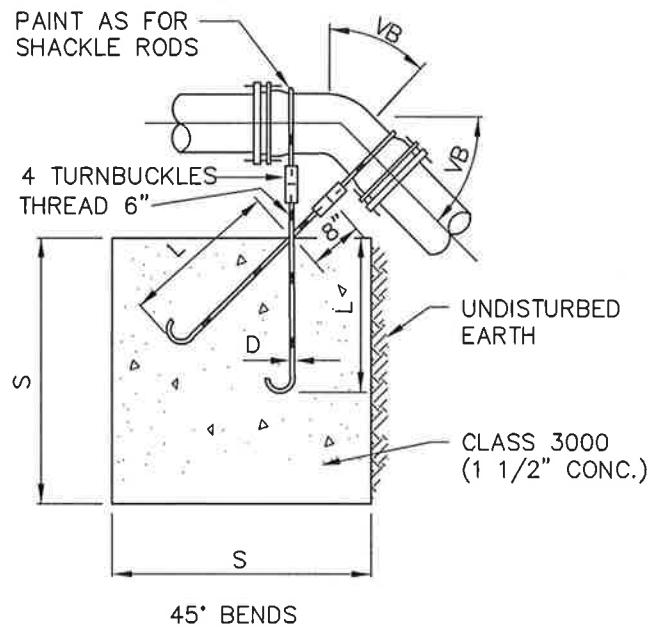
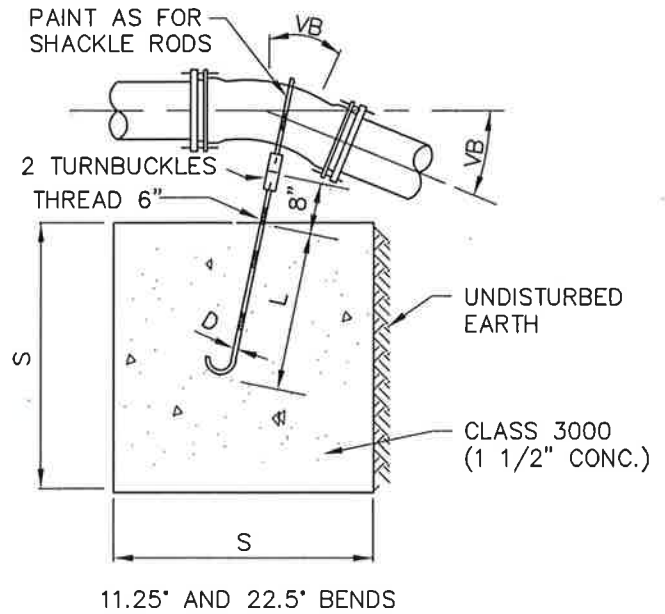


TYPE "A" BLOCKING FOR 11 1/4"-22 1/2"-30" VERTICAL BENDS								
PIPE SIZE NOMINAL DIAMETER - INCHES	TEST PRESSURE PSI	VB VERTICAL BEND DEGREES	S No. OF CU. FT. OF CONC. BLOCKING	D SIDE OF CUBE LIN. FT.	D DIAM. OF SHACKLE RODS (2) INCHES	L DEPTH OF RODS IN CONCRETE LIN. FT.		
4"	250	11 1/4	6	1.8	5/8"	1.5		
		22 1/2	12	2.3				
		45	22	2.8				
6"	250	11 1/4	14	2.4	5/8"	1.5		
		22 1/2	27	3.0				
		45	50	3.7				
8"	250	11 1/4	25	2.9	5/8"	1.5		
		22 1/2	48	3.6				
		45	89	4.5				
12"	250	11 1/4	55	3.8	5/8"	2.0		
		22 1/2	108	4.8				
		45	200	5.1			7/8"	2.0
16"	250	11 1/4	98	4.6	5/8"	1.5		
		22 1/2	192	5.8			7/8"	2.0
		45	355	7.1			1 1/8"	2.5

THIS TABLE REPRESENTS THE "MINIMUM" CONSTRUCTION STANDARD. THE DEVELOPER'S ENGINEER SHALL BE RESPONSIBLE FOR DETERMINING THE APPROPRIATE SIZE OF ALL ANCHOR BLOCKS BASED ON EXISTING AND LOCAL CONDITIONS.



Approved:  June 17, 2015
City Engineer Date

WATER STANDARD DETAIL

City of
BONNEY
Lake

Dwg No:

W5

**VERTICAL ANCHOR
BLOCK**