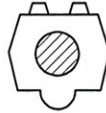


POLYPROPYLENE STEP, LANE NO. P-13938 OR EQUAL

POLYPROPYLENE MANHOLE STEPS

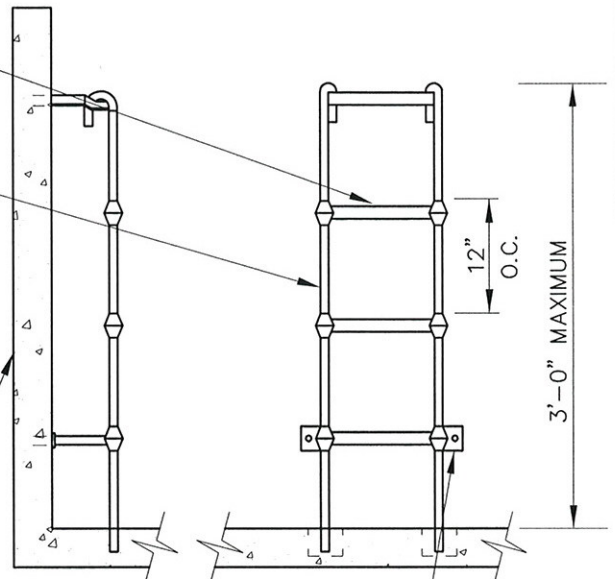
RUNG
1/2" GRADE 60



RAIL
9/16" ROUND BAR



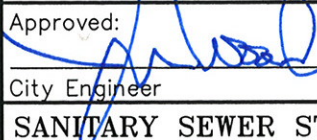
MANHOLE

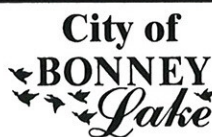


BOLT LADDER TO MANHOLE WALL W/ STAINLESS STEEL BOLTS AS SHOWN

LADDER SHALL CONFORM TO POLYPROPYLENE ASTM D-4101 1/2" GRADE 60 REINFORCING BAR A-615 9/16" COLD DRAWN BAR C-1018

POLYPROPYLENE LADDER

Approved:  June 17, 2005
 City Engineer Date
 SANITARY SEWER STANDARD DETAIL



Dwg No: **SS6**
POLYPROPYLENE LADDER AND MANHOLE STEPS