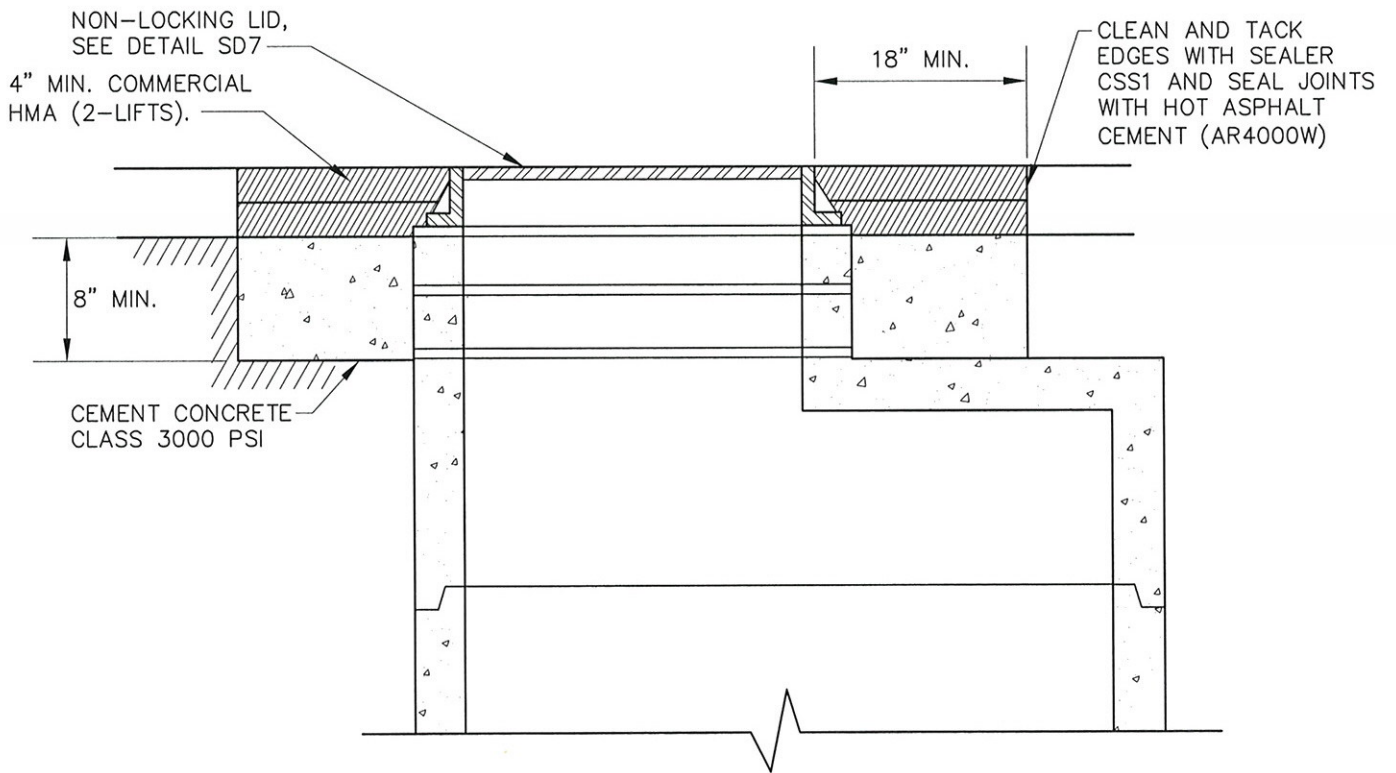


UNIMPROVED (UN-PAVED) AREAS



PAVED AREAS

Approved:  June 17, 2005
 City Engineer Date
STORM DRAIN STANDARD DETAIL



Dwg No: **SD6**
**CATCH BASIN TYPE 2
 FRAME AND COLLAR**