

POLYPROPYLENE STEP, LANE NO. P-13938 OR EQUAL

POLYPROPYLENE STEPS

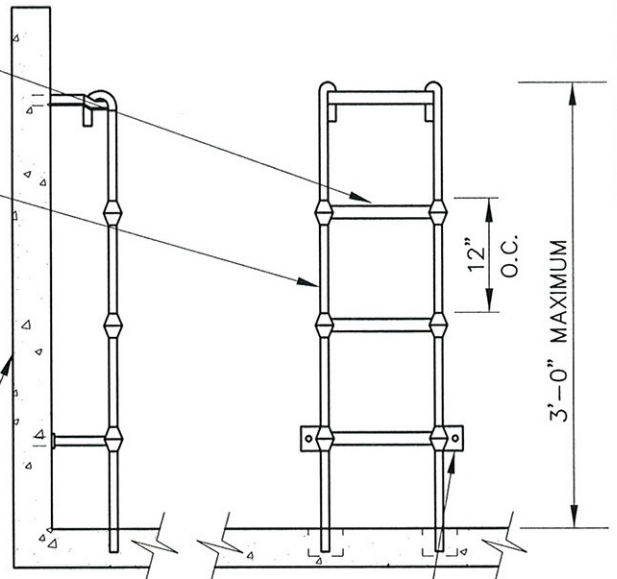
RUNG
1/2" GRADE 60



RAIL
9/16" ROUND BAR



CATCH BASIN



BOLT LADDER TO STRUCTURE WALL W/ STAINLESS STEEL BOLTS AS SHOWN

LADDER SHALL CONFORM TO POLYPROPYLENE ASTM D-4101 1/2" GRADE 60 REINFORCING BAR A-615 9/16" COLD DRAWN BAR C-1018

POLYPROPYLENE LADDER

Approved:

City Engineer

June 17, 2005

Date

STORM DRAIN STANDARD DETAIL



Dwg No:

SD5

POLYPROPYLENE LADDER AND STEPS