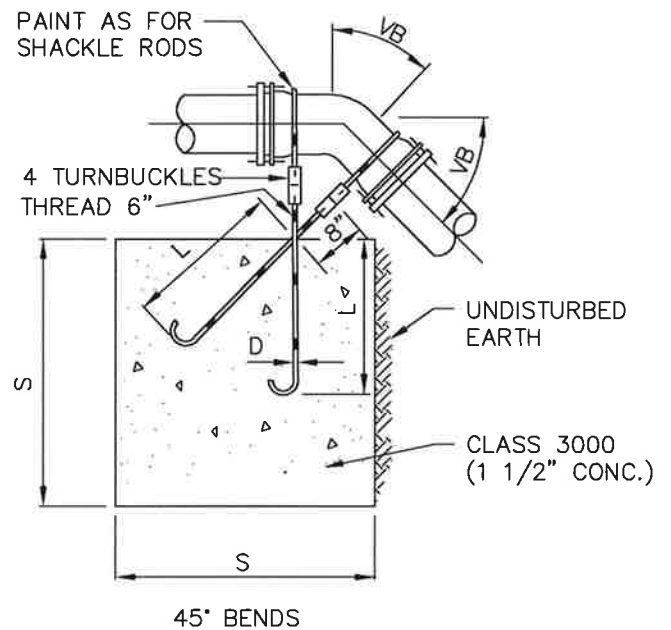
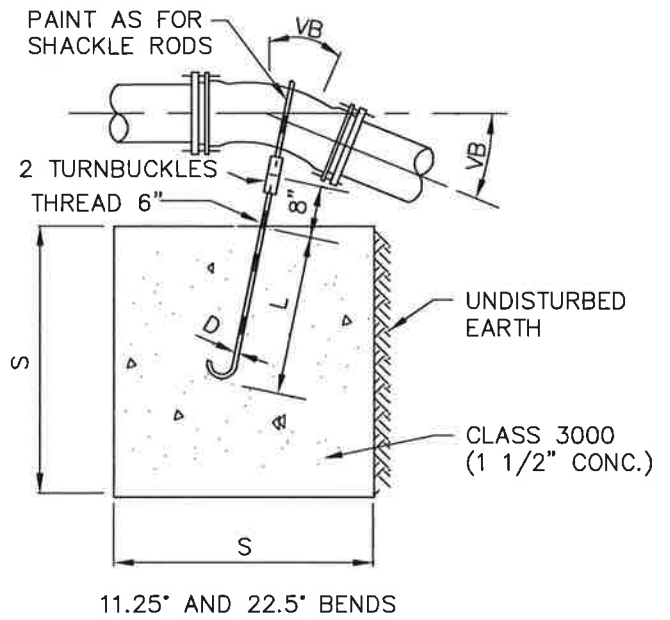


TYPE "A" BLOCKING FOR 11 1/4°-22 1/2°-30° VERTICAL BENDS								
PIPE SIZE NOMINAL DIAMETER- INCHES	TEST PRESSURE PSI	VB		S	D	DEPTH OF RODS IN CONCRETE LIN. FT.		
		VERTICAL BEND DEGREES	No. OF CU. FT. OF CONC. BLOCKING	SIDE OF CUBE LIN. FT.	DIAM. OF SHACKLE RODS (2) INCHES			
4"	250	11 1/4	6	1.8	5/8"	1.5		
		22 1/2	12	2.3				
		45	22	2.8				
6"	250	11 1/4	14	2.4	5/8"	1.5		
		22 1/2	27	3.0				
		45	50	3.7				
8"	250	11 1/4	25	2.9	5/8"	1.5		
		22 1/2	48	3.6				
		45	89	4.5				
12"	250	11 1/4	55	3.8	5/8"	2.0		
		22 1/2	108	4.8				
		45	200	5.1			7/8"	2.0
16"	250	11 1/4	98	4.6	5/8"	1.5		
		22 1/2	192	5.8			7/8"	2.0
		45	355	7.1			1 1/8"	2.5

THIS TABLE REPRESENTS THE "MINIMUM" CONSTRUCTION STANDARD. THE DEVELOPER'S ENGINEER SHALL BE RESPONSIBLE FOR DETERMINING THE APPROPRIATE SIZE OF ALL ANCHOR BLOCKS BASED ON EXISTING AND LOCAL CONDITIONS.



Approved:

March 16, 2018

City Engineer

Date

WATER STANDARD DETAIL

City of
BONNEY
Lake

Dwg No:

W5

**VERTICAL ANCHOR
BLOCK**