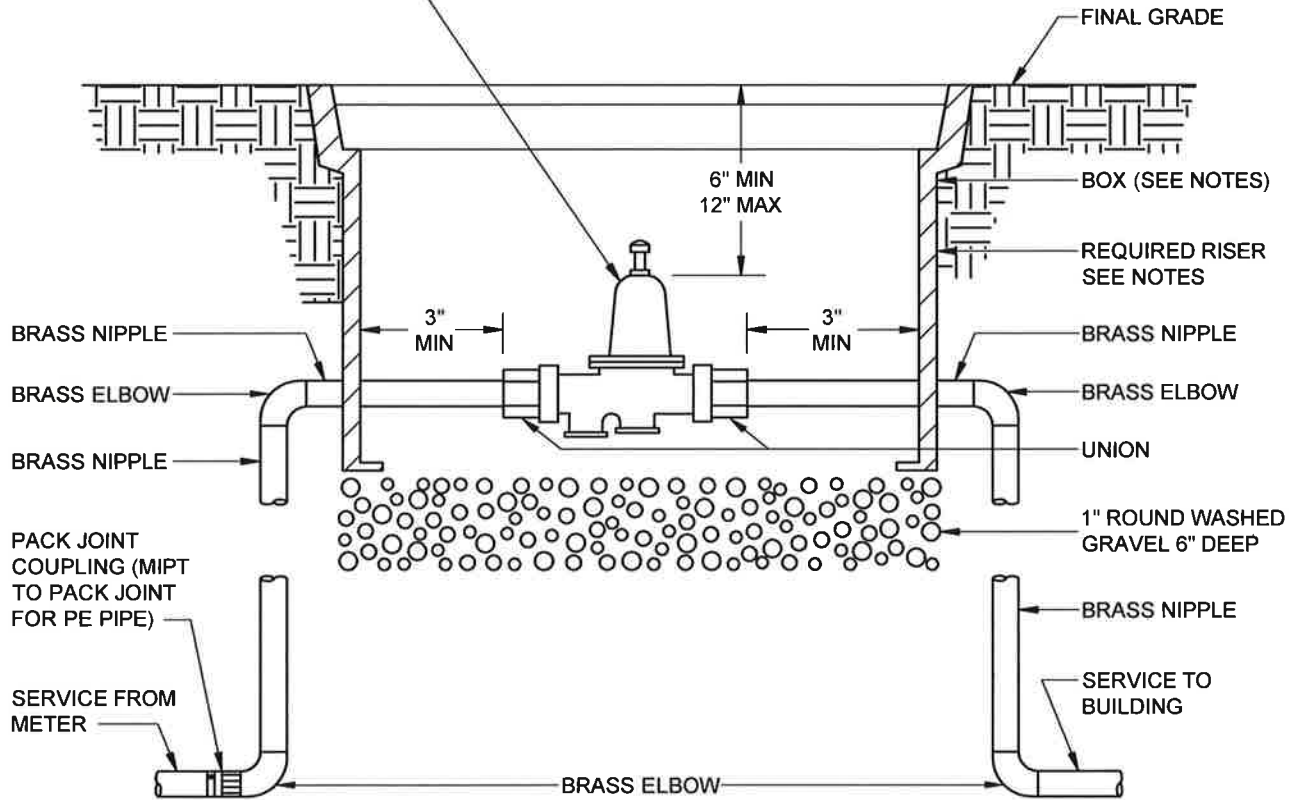


P.R.V. SHALL HAVE AN INTEGRAL BYPASS

PRESSURE REDUCING VALVE
WILKINS 600 SERIES OR
APPROVED EQUAL (WITH
INTERNAL BYPASS AND STRAINER)



NOTES:

1. WHERE P.R.V. IS INSTALLED ON EXISTING SERVICE, CUT IN EXISTING SERVICE, INSTALL NEW BRASS FITTINGS REQUIRED TO MAKE A COMPLETE P.R.V. INSTALLATION.
2. BOX SHALL BE PER DETAIL W1.
3. REQUIRED RISER SHALL BE 6 INCH.
4. P.R.V. SIZE SHALL BE 1 INCH.

Approved:

City Engineer

WATER STANDARD DETAIL

March 16, 2018

Date



Dwg No:

W23

INDIVIDUAL PRV