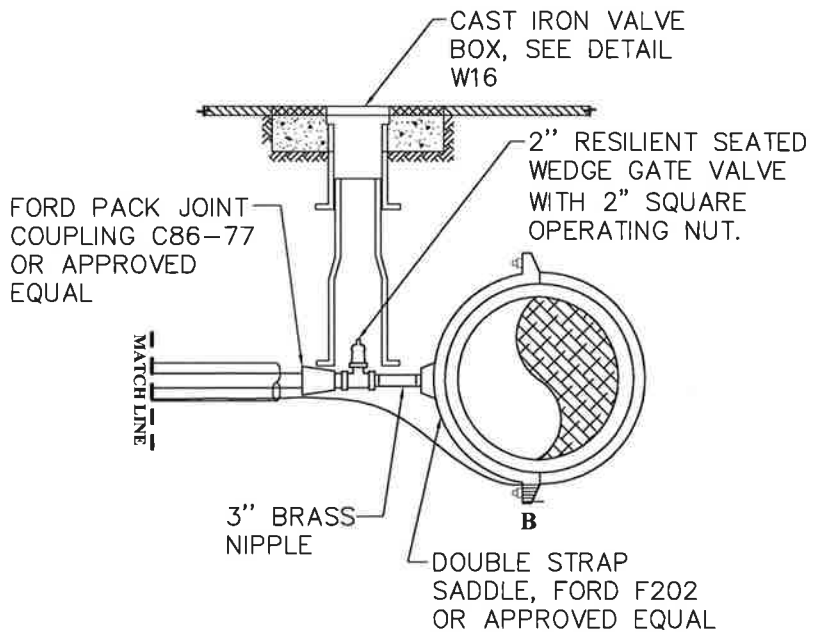


NOTES:

1. ALL MATERIALS AND FITTINGS SHALL BE AS SPECIFIED.
2. THE WATER METER SHALL BE LOCATED ADJACENT TO THE RIGHT-OF-WAY LINE AS DIRECTED BY THE CITY. THE WATER METER SHALL BE ACCESSIBLE BY THE CITY AT ALL TIMES.
3. METERS SHALL BE INSTALLED BY THE CITY OF BONNEY LAKE.
4. WATER SERVICE LINE SHALL BE HIGH MOLECULAR POLYETHYLENE SDR7 (200 PSI).
5. INDIVIDUAL PRESSURE REDUCING VALVE (WASHINGTON STATE DEPARTMENT OF HEALTH APPROVED) IS REQUIRED.
6. STAINLESS STEEL STIFFENERS SHALL BE INCLUDED WITH ALL PACK JOINT COUPLINGS.



Approved: *[Signature]* March 16, 2018
 City Engineer Date
WATER STANDARD DETAIL



Dwg No: **W11**
1-1/2" AND 2" WATER SERVICE