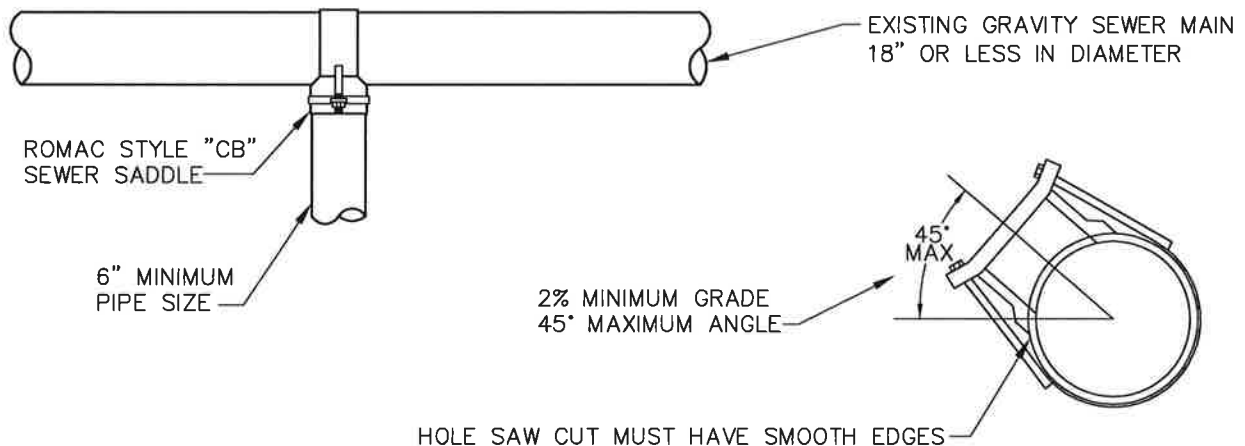


CONNECTING TAPS ON EXISTING SEWER MAINS

1. THE TEE FITTING SHALL BE A ROMAC INDUSTRIES STYLE "CB" SEWER SADDLE (OR APPROVED EQUAL). ONLY NEW SADDLE AND PARTS SHALL BE INSTALLED. DUE TO PIPE SIZE, MATERIALS OR PIPE CONDITION, THE CITY ENGINEER MAY REQUIRE AN ALTERNATE METHOD/MATERIAL BE USED.
2. THE SEWER MAIN TAP SHALL BE CUT WITH A SEWER PIPE TAPPING MACHINE (HOLE SAW) CAPABLE OF RETAINING THE COUPON.
3. THE ROUND HOLE CUT INTO THE SEWER MAIN SHALL BE NO LARGER THAN THE INSIDE DIAMETER OF THE SADDLE GASKET. THE HOLE SAW CUT EDGES SHALL BE SMOOTH.
4. THE COUPON SHALL BE RETAINED AND SURRENDERED TO THE INSPECTOR. THE DEVELOPER WILL PAY ALL COSTS ASSOCIATED WITH THE LOCATION AND RETRIEVAL OF A LOST COUPON. ADDITIONALLY THE DEVELOPER WILL BE HELD LIABLE FOR ANY SUBSEQUENT DAMAGES CAUSED BY A LOST COUPON.
5. BOLTS SHALL BE TORQUED TO MANUFACTURER SPECIFICATIONS, THEN RETORQUED AFTER 10 MINUTES.
6. NO TAPS SHALL BE ALLOWED ON EXISTING SEWER MAINS OVER 18" IN DIAMETER. CONNECTIONS INTO SEWER MAINS OVER 18" IN DIAMETER SHALL INTERSECT THE SEWER MAIN IN A MANHOLE, UNLESS OTHERWISE APPROVED BY THE CITY.



Approved

[Handwritten Signature]

March 16, 2018

City Engineer

Date

SANITARY SEWER STANDARD DETAIL



Dwg No:

SS9

SEWER MAIN TAP