

POLYPROPYLENE STEP, LANE NO. P-13938 OR EQUAL

POLYPROPYLENE MANHOLE STEPS

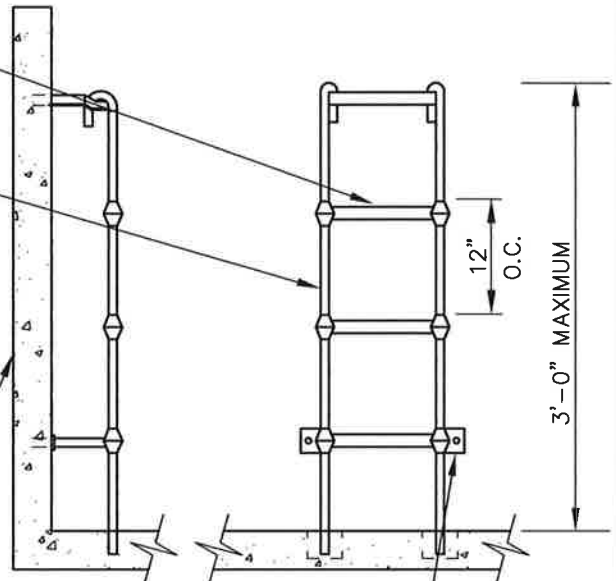
RUNG
1/2" GRADE 60



RAIL
9/16" ROUND BAR

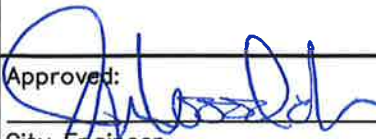


MANHOLE



LADDER SHALL CONFORM TO POLYPROPYLENE ASTM D-4101 1/2" GRADE 60 REINFORCING BAR A-615 9/16" COLD DRAWN BAR C-1018

POLYPROPYLENE LADDER

Approved:  March 16, 2018
 City Engineer Date
SANITARY SEWER STANDARD DETAIL



Dwg No: **SS6**
POLYPROPYLENE LADDER AND MANHOLE STEPS