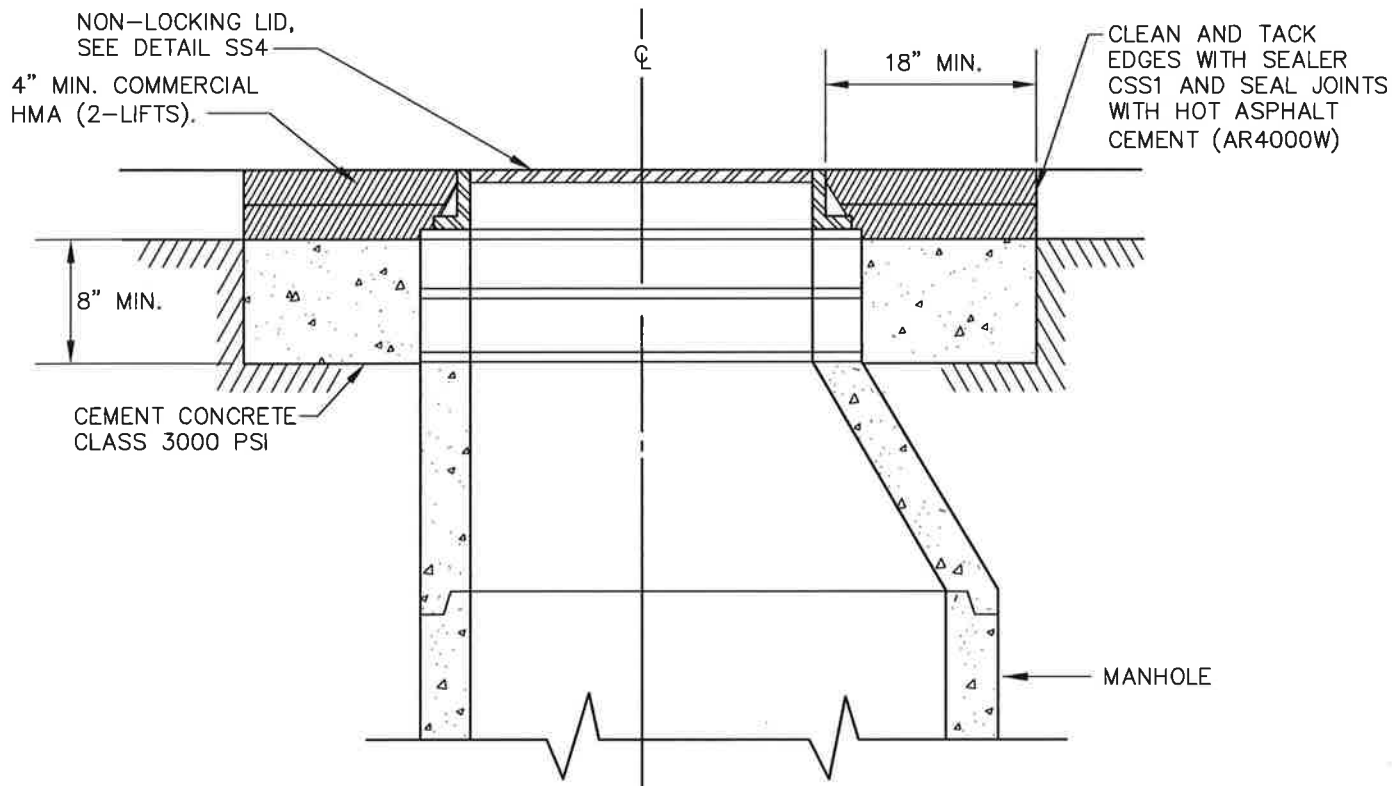
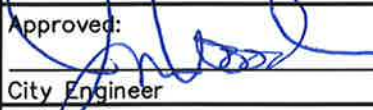


UNIMPROVED (UN-PAVED) AREAS



PAVED AREAS

Approved:  March 16, 2018  
 City Engineer Date  
**SANITARY SEWER STANDARD DETAIL**



Dwg No: **SS5**  
**MANHOLE FRAME COLLAR**