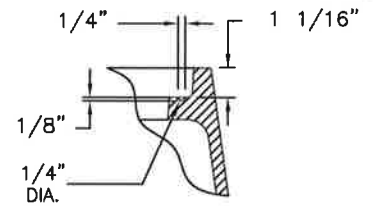
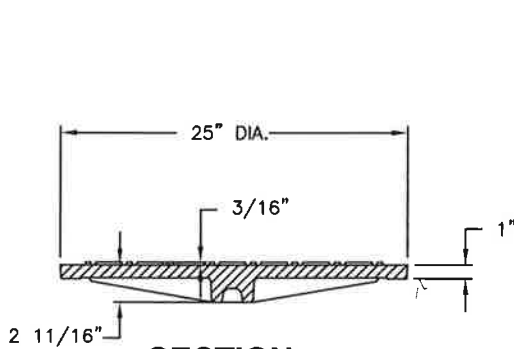


PLAN VIEW

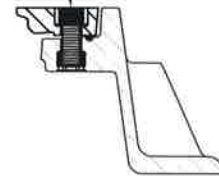


GASKET GROOVE DETAIL

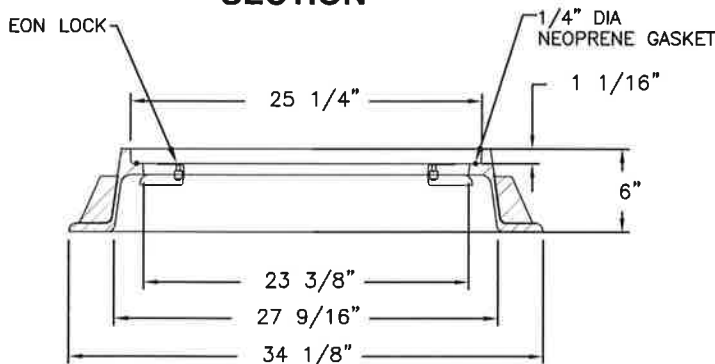


SECTION

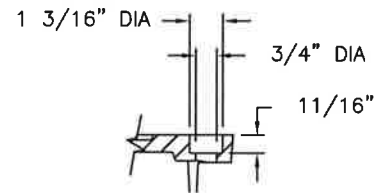
(3) BLT SOC. (ALLEN HEAD)
5/8"-11 X 1.5 SS
W/ SS & RUBBER WASHERS



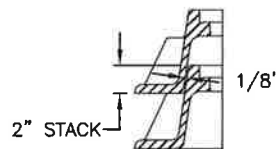
EON BOLTING DETAIL



SECTION



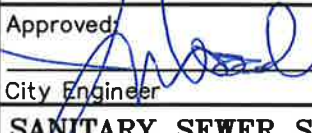
BOLTHOLE DETAIL



STACKING DETAIL

NOTES:

1. PRODUCTS MANUFACTURED BY EJ GROUP, INC. 800-626-4653 (PRODUCT NUMBER 00371580)
2. MATERIALS ARE DIPPED GRAY IRON ASTM A48 CL35B, LOAD RATING HEAVY DUTY
3. WATERTIGHT MANHOLE FRAME AND COVERS ARE REQUIRED AS DIRECTED BY THE CITY AND IN ALL LOCATIONS WHERE THE MANHOLE RIM IS SET BELOW FINISHED GRADE.

Approved:  March 16, 2018
City Engineer Date
SANITARY SEWER STANDARD DETAIL



Dwg No: **SS4**
MANHOLE FRAME AND COVER