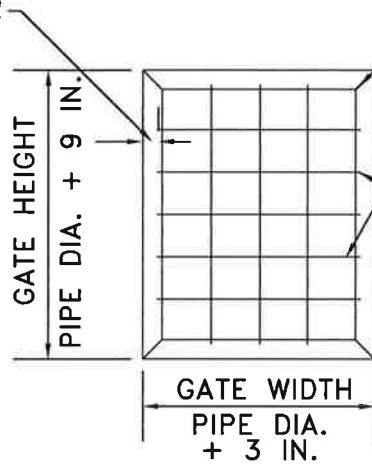


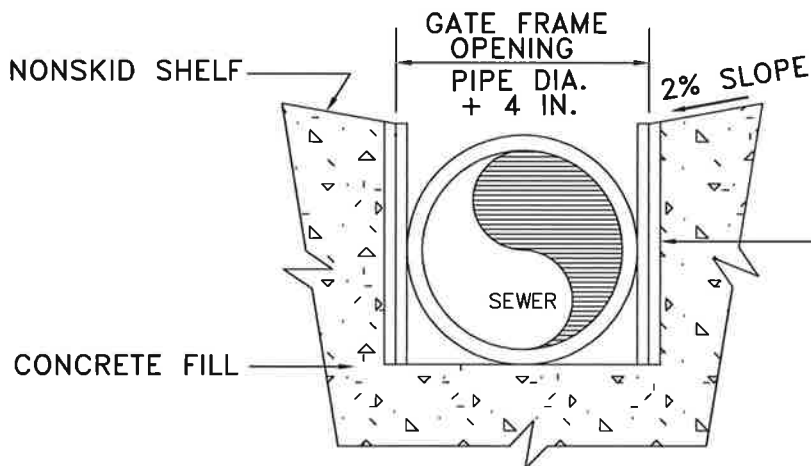
2-1/2 IN. CLEAR FOR FRAME



WELD (TYP.)

3" X 1/4" TYPE 316 SS FLAT BAR

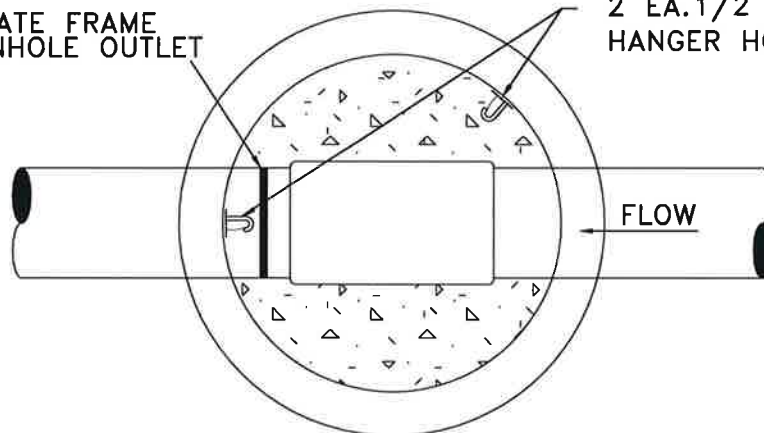
1/2" TYPE 316 SS BARS (TYP.) WELD ALL BARS TO FRAME & EACH OTHER. OPENING SIZE = 1-1/2 IN.



TYPE 316 SS LAYERED FLAT BAR GATE FRAME W/2" DEEP 3/8" WIDE OPENING ON SIDES ONLY.

TYPE 316 SS GATE FRAME LOCATED @ MANHOLE OUTLET

2 EA. 1/2 IN. TYPE 316 SS GATE HANGER HOOK



GENERAL NOTES:

1. THE DOWNSTREAM AREA BEHIND GATE MUST NOT ALLOW PIG TO CONTINUE TRAVEL DOWN PIPE.

Approved:

March 16, 2018

City Engineer

Date

SANITARY SEWER STANDARD DETAIL



Dwg No:

SS22

OUTFALL MANHOLE  
PIG CATCHER