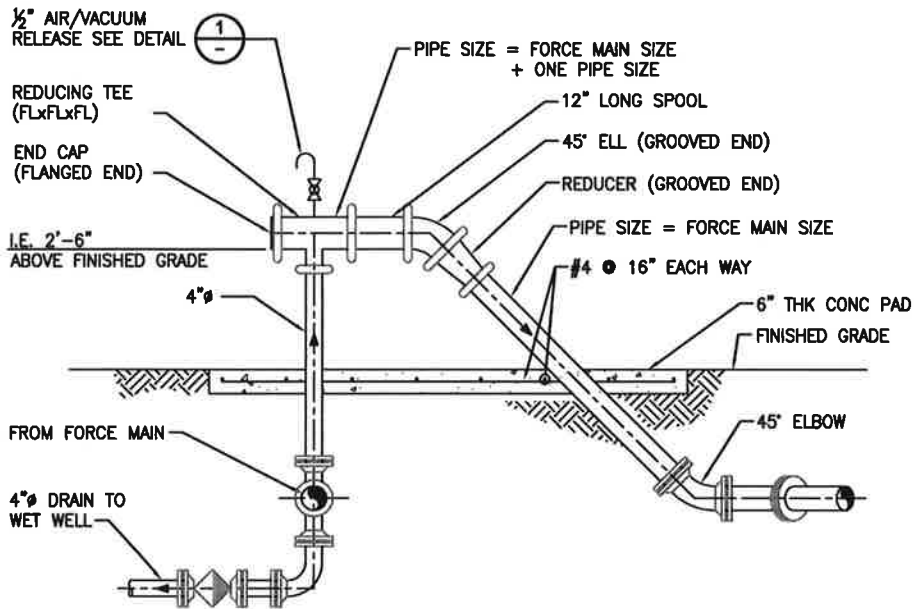


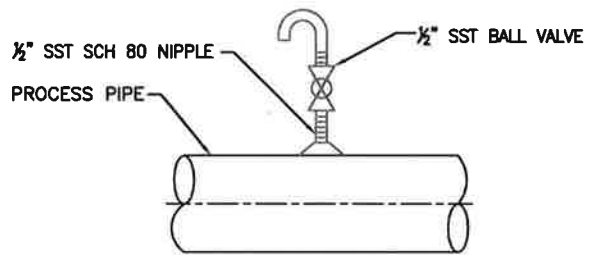
**PIG LAUNCH
PLAN**

NOT TO SCALE



**PIG LAUNCH
SECTION**

NOT TO SCALE



**AIR/VACUUM RELEASE
DETAIL**

NO SCALE

NOTES:

1. ALL UNDERGROUND PROCESS PIPE AND FITTINGS SHALL BE DUCTILE IRON WITH RESTRAINED JOINTS. UNDERGROUND VALVES SHALL BE RESTRAINED JOINT WITH CAST IRON VALVE BOXES PER CITY REQUIREMENTS. EXPOSED PIPING SHALL BE GROOVED END WITH FLANGED VALVES.
2. PIG LAUNCH SHALL ALSO BE SUITABLE FOR TEMPORARY BYPASS PUMP CONNECTION BY CITY.
3. PIPE ABOVE GRADE SHALL BE DUCTILE IRON PIPE WITH FACTORY PRIME COATED AND PAINTED WITH COATING PRODUCT APPROVED BY THE CITY.
4. PIPE BELOW GRADE SHALL BE DUCTILE IRON PIPE WITH TAR COATING.

Approved: *[Signature]* March 16, 2018
 City Engineer Date

SANITARY SEWER STANDARD DETAIL



Dwg No:

**SS20
PIG LAUNCH**