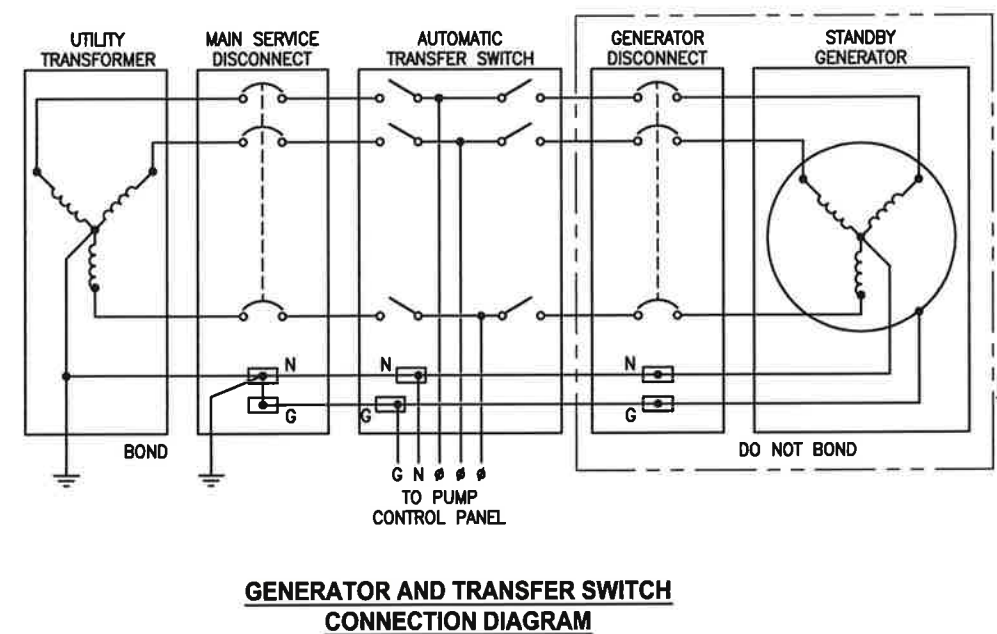
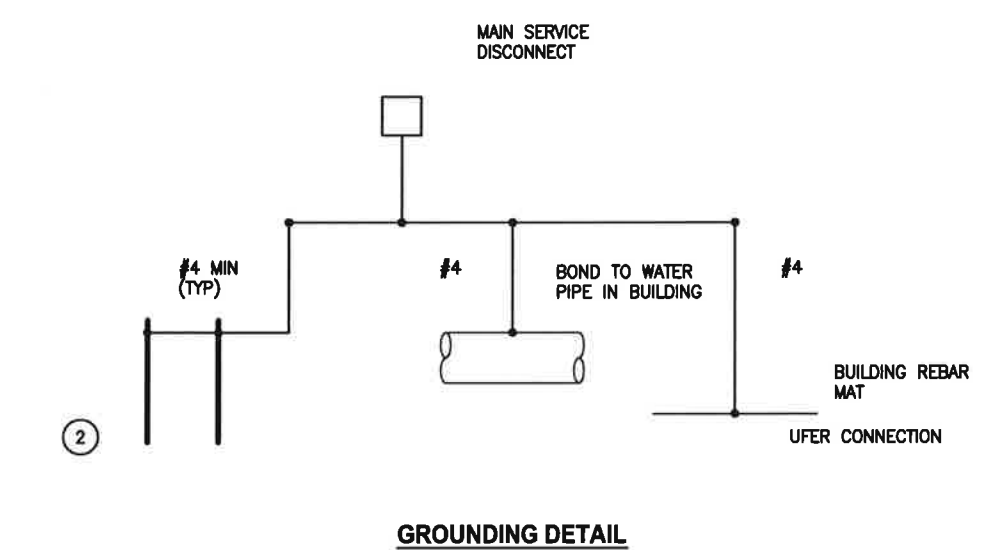


- NOTES:**
- UTILITY METERING, METER BASE AND CT ENCLOSURE BY CONTRACTOR PER SERVING UTILITY REQUIREMENTS. METER BY PUGET SOUND ENERGY.
  - ELECTRONIC SOFT STARTER WITH BYPASS AND ISOLATION CONTACTORS.



**STATION LOAD CALCULATIONS**

XX HORSEPOWER MOTOR	XX AMPS
XX HORSEPOWER MOTOR	XX AMPS
MISC. STATION LOAD (XXKVA)	XX AMPS
HEATER (XKW)	XX AMPS
TOTAL	XXX AMPS

Approved: *[Signature]* March 16, 2018  
 City Engineer Date  
 SANITARY SEWER STANDARD DETAIL



Dwg No: **SS16**  
**SS LIFT STATION  
 ELECTRIC DIAGRAM**