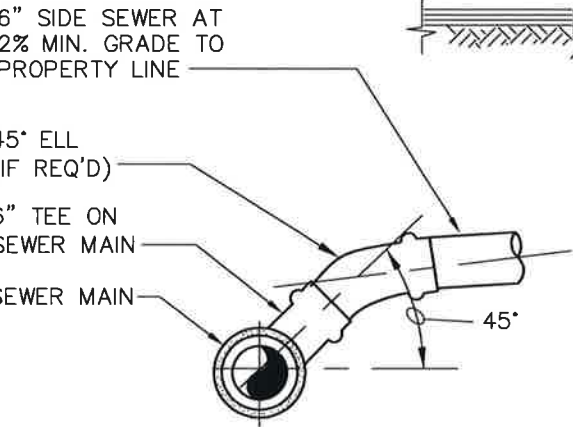


PLAN

SERVICE MARKER NOTE:

PAINT PORTION OF SERVICE MARKER THAT IS ABOVE FINISHED GRADE WITH WHITE PAINT. STENCIL WITH BLACK LETTERS "S/S" AND THE DEPTH TO THE IE OF THE STUB USING 3" HIGH LETTERS. LOCATE SERVICE MARKER AT END OF EACH SERVICE.


CAST IRON RING & COVER, OLYMPIC FOUNDRY COMPANY PART NO. M 1025 OR APPROVED EQUAL. "SEWER" TO BE CAST IN RAISED LETTERS ON THE LID.



ELEVATION

NOTES:

1. MAXIMUM DEFLECTION NOT TO EXCEED PIPE MANUFACTURER RECOMMENDATIONS.
2. SIDE SEWER LATERAL SHALL BE THE SAME MATERIAL AS THE MAIN LINE SEWER (GREEN IN COLOR).
3. PIPE TO BE BEDDED IN PEA GRAVEL.
4. CONNECTIONS TO EXISTING MAINS SHALL BE MADE WITH AN APPROVED SADDLE, SEE DETAIL SS9.

Approved:  March 16, 2018
 City Engineer Date
SANITARY SEWER STANDARD DETAIL



Dwg No: **SS10**
SIDE SEWER DETAIL