


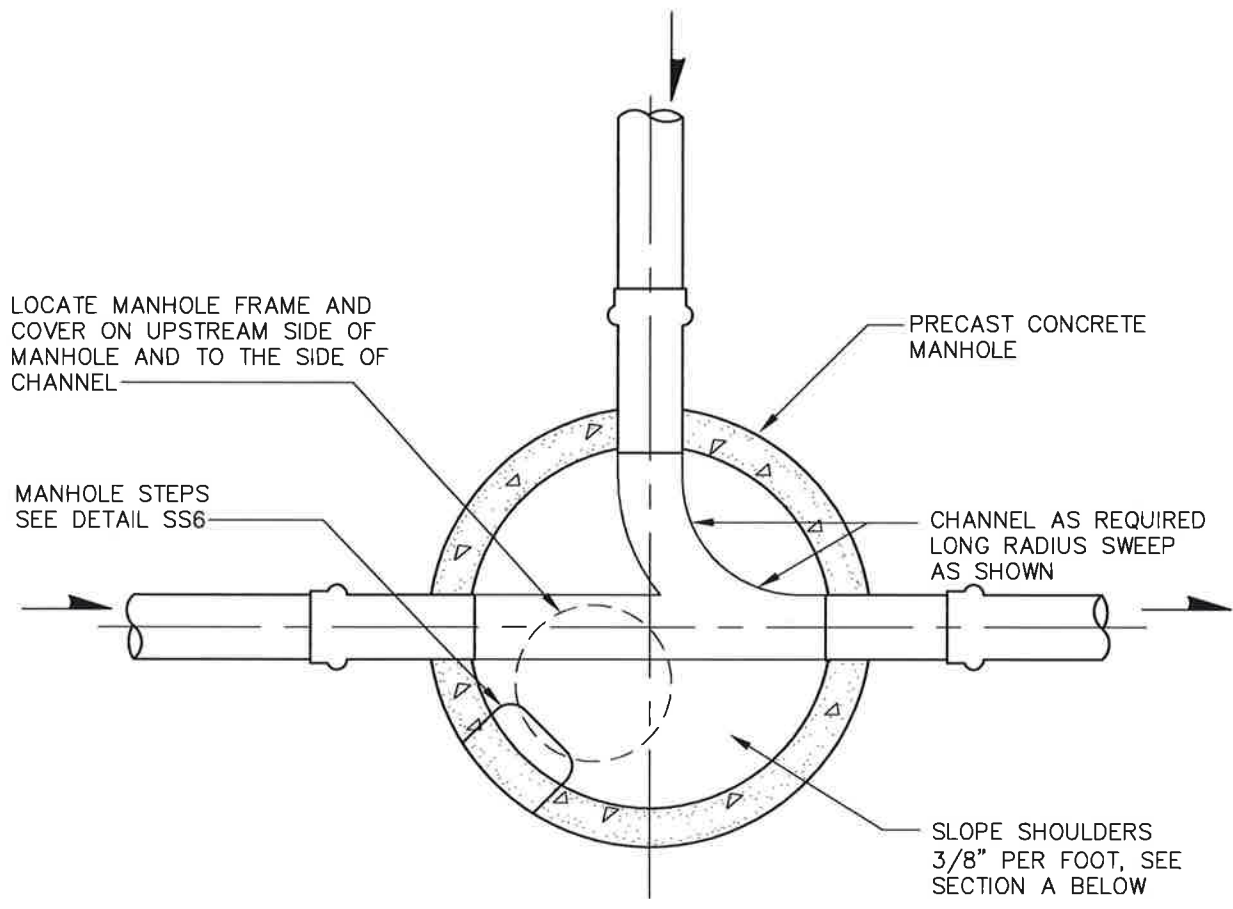
NOTES:

1. PIPE CONNECTIONS TO MANHOLES SHALL BE WITH A WATER TIGHT FLEXIBLE RUBBER BOOT IN MANHOLE WALL, KOR-N-SEAL BOOT, "A" LOCK, OR EQUAL.
2. MANHOLES SHALL BE PRE-CHANNELED BY THE MANUFACTURER WITH A DROP OF GRADE THRU MANHOLE OF 0.10- FEET (SEE PAGE 2). FIBERGLASS CHANNELS ARE ACCEPTABLE.
3. LARGER MANHOLES WILL BE REQUIRED AT THE DISCRETION OF THE CITY ENGINEER BASED ON PIPE SIZE, NUMBER AND ORIENTATION OF PIPE(S).
4. MANHOLE COATINGS MAY BE REQUIRED IF DIRECTED BY THE CITY OR IF SPECIFIED IN SECTION 500.

Approved:  March 16, 2018
 City Engineer Date
SANITARY SEWER STANDARD DETAIL

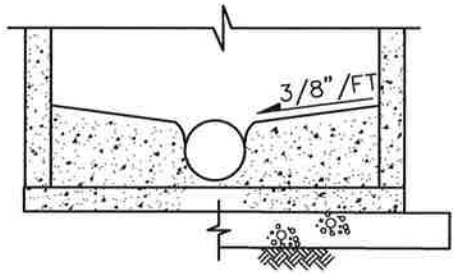


Dwg No: **SS1**
TYPICAL PRECAST MANHOLE



PLAN

NO SCALE

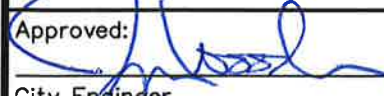


PRECAST CHANNEL

SECTION

NO SCALE

A

Approved:  March 16, 2018
 City Engineer Date
SANITARY SEWER STANDARD DETAIL



Dwg No: **SS1**
TYPICAL PRECAST MANHOLE