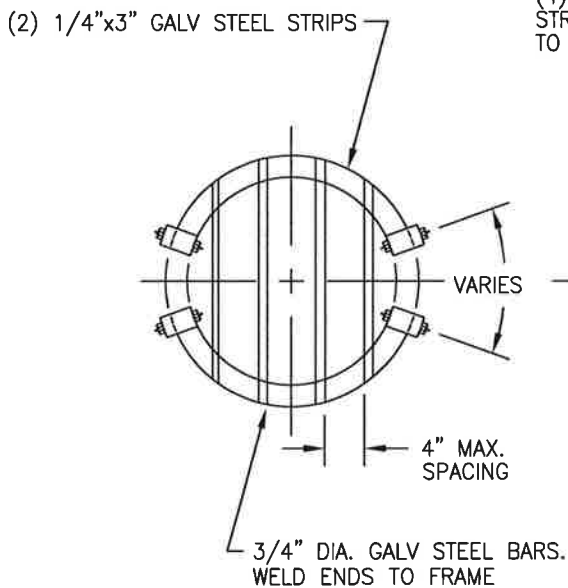
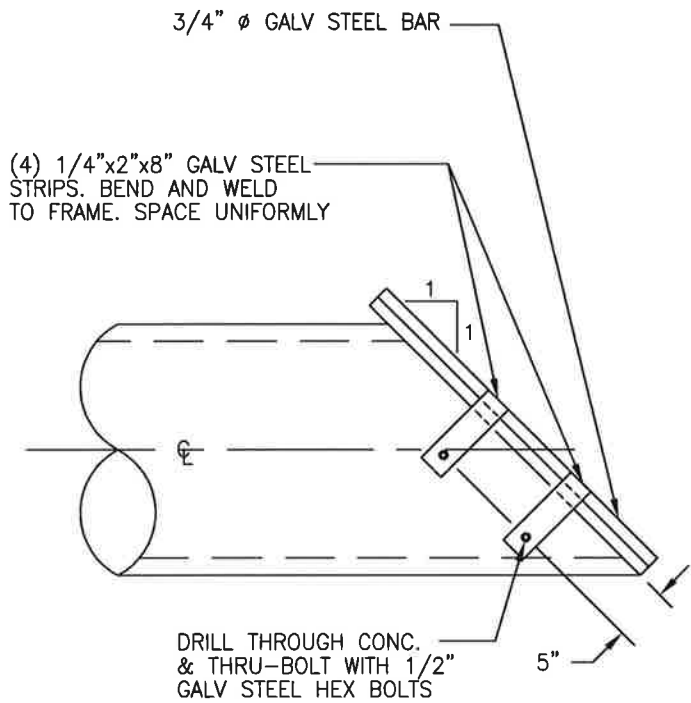


3/4" DIAM. SMOOTH BARS
W/ENDS WELDED TO BAR FRAME

PLAN VIEW



END VIEW



SIDE VIEW

NOTES:

1. WELD AT ALL JOINTS.
2. SHOP DRAWINGS REQUIRED.

Approved:  March 16, 2018
 City Engineer Date
STORM DRAIN STANDARD DETAIL



Dwg No: **SD8**
TRASH RACK