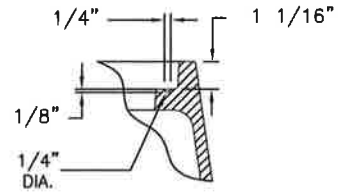
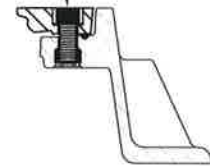


**PLAN VIEW**

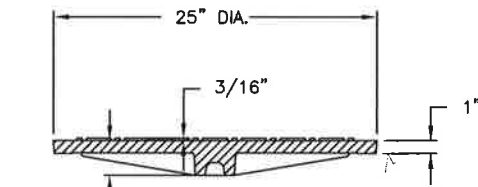


**GASKET GROOVE DETAIL**

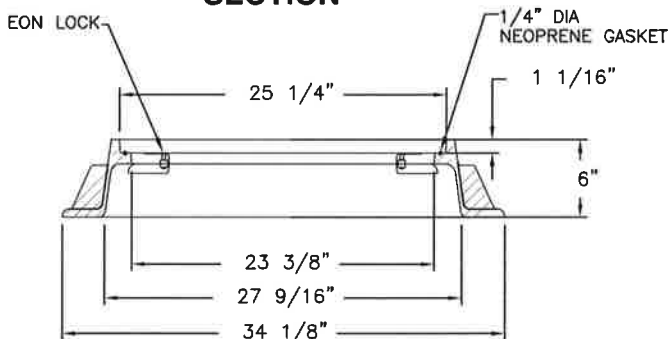
(3) BLT SOC. (ALLEN HEAD)  
5/8"-11 X 1.5 SS  
W/ SS & RUBBER WASHERS



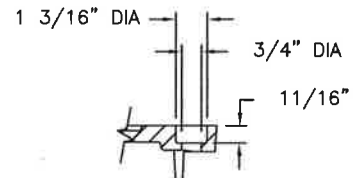
**EON BOLTING DETAIL**



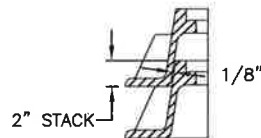
**SECTION**



**SECTION**



**BOLTHOLE DETAIL**



**STACKING DETAIL**

**NOTES:**

1. PRODUCTS MANUFACTURED BY EJ GROUP, INC. 800-626-4653 (PRODUCT NUMBER 00371581)
2. MATERIALS ARE DIPPED GRAY IRON ASTM A48 CL35B, LOAD RATING HEAVY DUTY
3. WATERTIGHT MANHOLE FRAME AND COVERS ARE REQUIRED AS DIRECTED BY THE CITY AND IN ALL LOCATIONS WHERE THE MANHOLE RIM IS SET BELOW FINISHED GRADE.

Approved:  March 16, 2018  
City Engineer Date



Dwg No: **SD7**  
**SOLID ROUND FRAME AND COVER**

**STORM DRAIN STANDARD DETAIL**