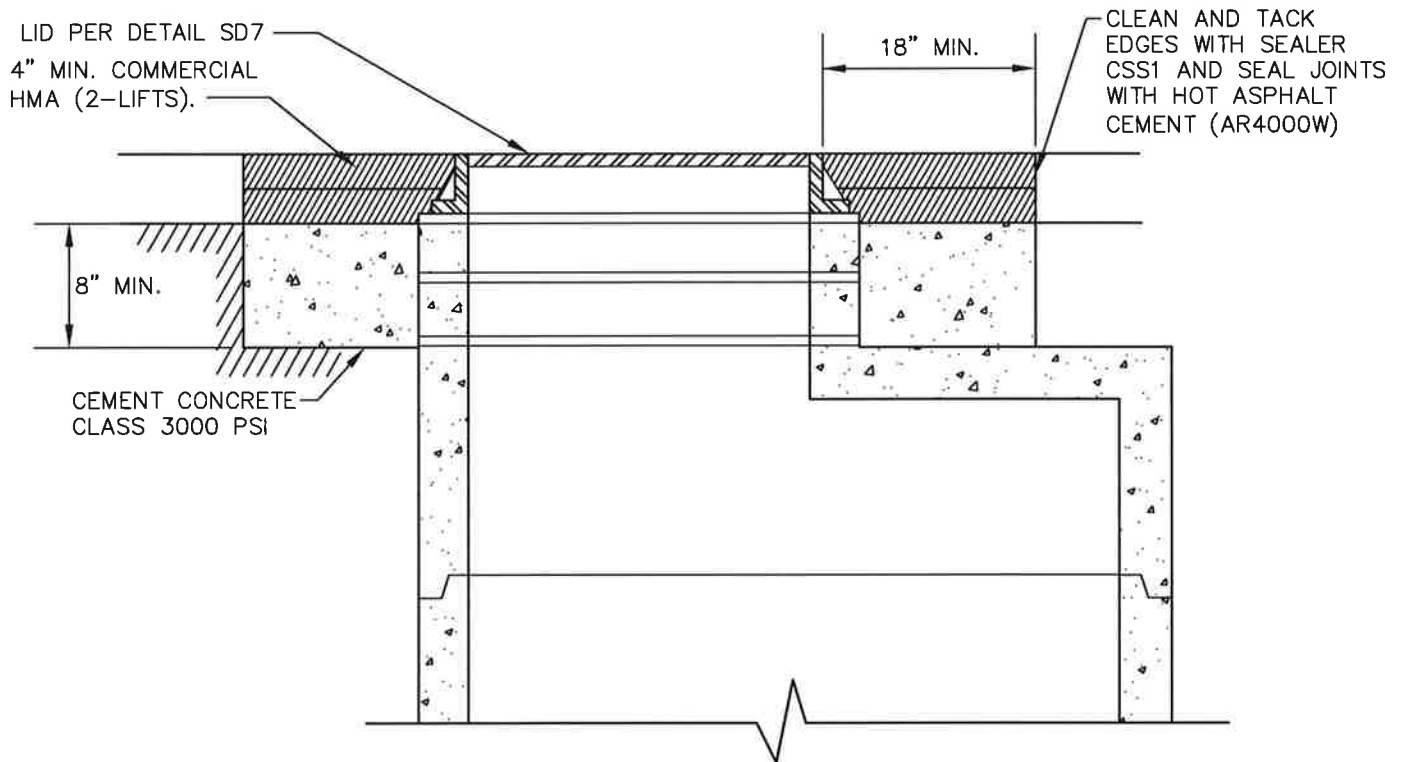


UNIMPROVED (UN-PAVED) AREAS



PAVED AREAS

Approved: *[Signature]* March 16, 2018
 City Engineer Date



Dwg No: **SD6**
**CATCH BASIN TYPE 2
 FRAME AND COLLAR**

STORM DRAIN STANDARD DETAIL