

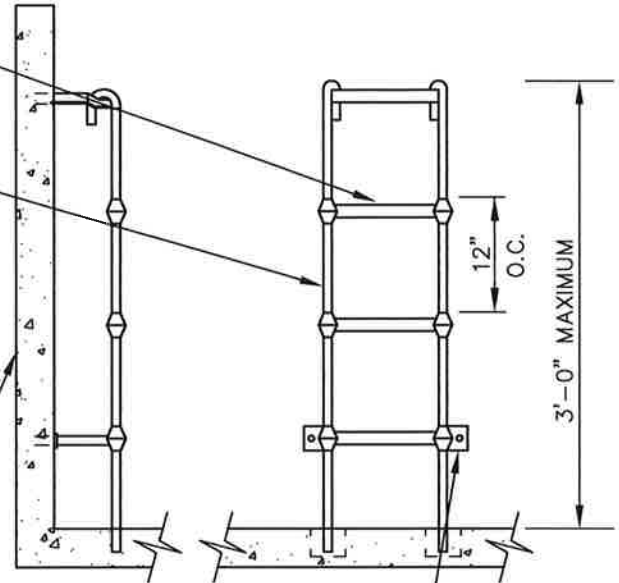
POLYPROPYLENE STEPS

RUNG
1/2" GRADE
60

RAIL
9/16" ROUND
BAR

CATCH
BASIN

CATCH BASIN



BOLT LADDER TO STRUCTURE
WALL W/ STAINLESS STEEL
BOLTS AS SHOWN

LADDER SHALL CONFORM TO POLYPROPYLENE
ASTM D-4101 1/2" GRADE 60 REINFORCING
BAR A-615 9/16" COLD DRAWN BAR C-1018

POLYPROPYLENE LADDER

Approved:  March 16, 2018
City Engineer Date

STORM DRAIN STANDARD DETAIL



Dwg No:

SD5

**POLYPROPYLENE LADDER
AND STEPS**