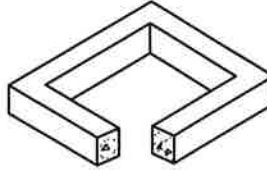
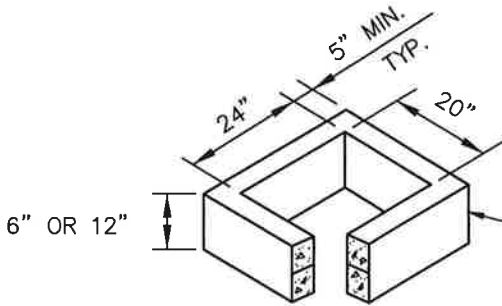




SQUARE FRAME AND OPEN GRATE, VANED GRATE, OR SOLID COVER, SEE DETAIL SD2.



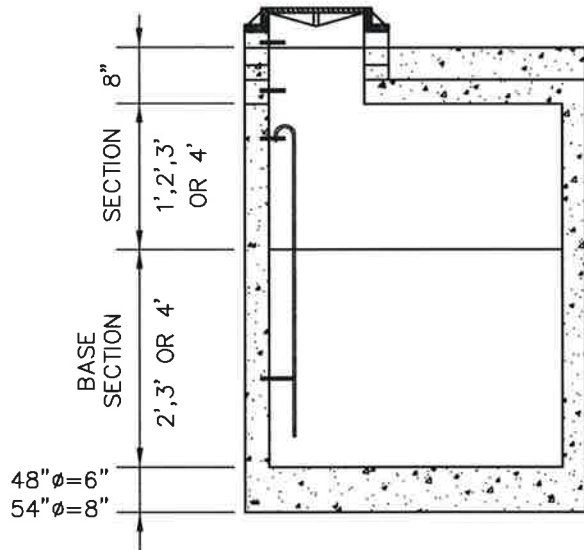
2"x4"x8" SOLID BRICK USED FOR FINAL ADJUSTMENT TO GRADE 6" HIGH MAX.



TOP SLAB WITH 24" ROUND ACCESS OR 20"x24" RECTANGULAR ACCESS

**NOTES:**

1. ALL TYPE 2 CB'S EQUIPPED WITH OPEN GRATES SHALL BE LOCKING TYPE.
2. ROUND LIDS SHALL BE AS SHOWN IN DETAIL.
3. CB'S SHALL BE SET SO THAT STEPS ARE DIRECTLY UNDER OPENING.
4. ALL TYPE II CB'S SHALL BE EQUIPPED WITH STEPS AND LADDER, SEE DETAIL SD5.
5. MINIMUM DISTANCE FROM THE LOWEST PIPE INVERT ELEVATION TO THE BOTTOM OF THE STRUCTURE SHALL BE 2- FEET.
6. CB SECTIONS AND LID WILL BE H-20 TRAFFIC LOAD CERTIFIED BY MFG.
7. HOLE SIZE = PIPE O.D. + 5"  
MAX MAX HOLE SIZE = 36" (48" CB) MAX HOLE SIZE = 42" (54" CB)
8. FOUNDATION MATERIAL SHALL BE 1-1/4" CSBC (8" MIN DEPTH) ON FIRM AND UNYIELDING SUB-GRADE MATERIAL.
9. THE CITY MAY REQUIRE THE STRUCTURE TO BE BACKFILLED WITH CONTROLLED DENSITY FILL WHEN THE EXCAVATION FOR THE STRUCTURE IS INSUFFICIENT TO ENSURE THAT THE CITY'S MINIMUM COMPACTION STANDARDS ARE MET.



Approved:  March 16, 2018  
 City Engineer Date  
**STORM DRAIN STANDARD DETAIL**



Dwg No: **SD3**  
**CATCH BASIN**  
**TYPE 2**