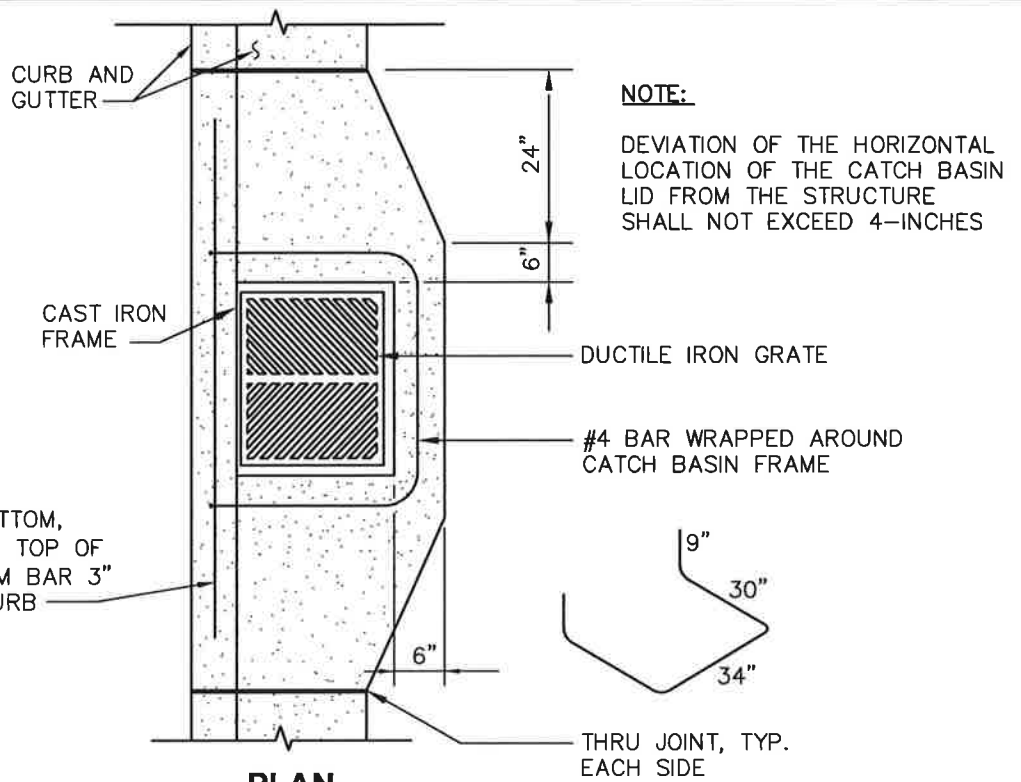


FRAME AND COVER:

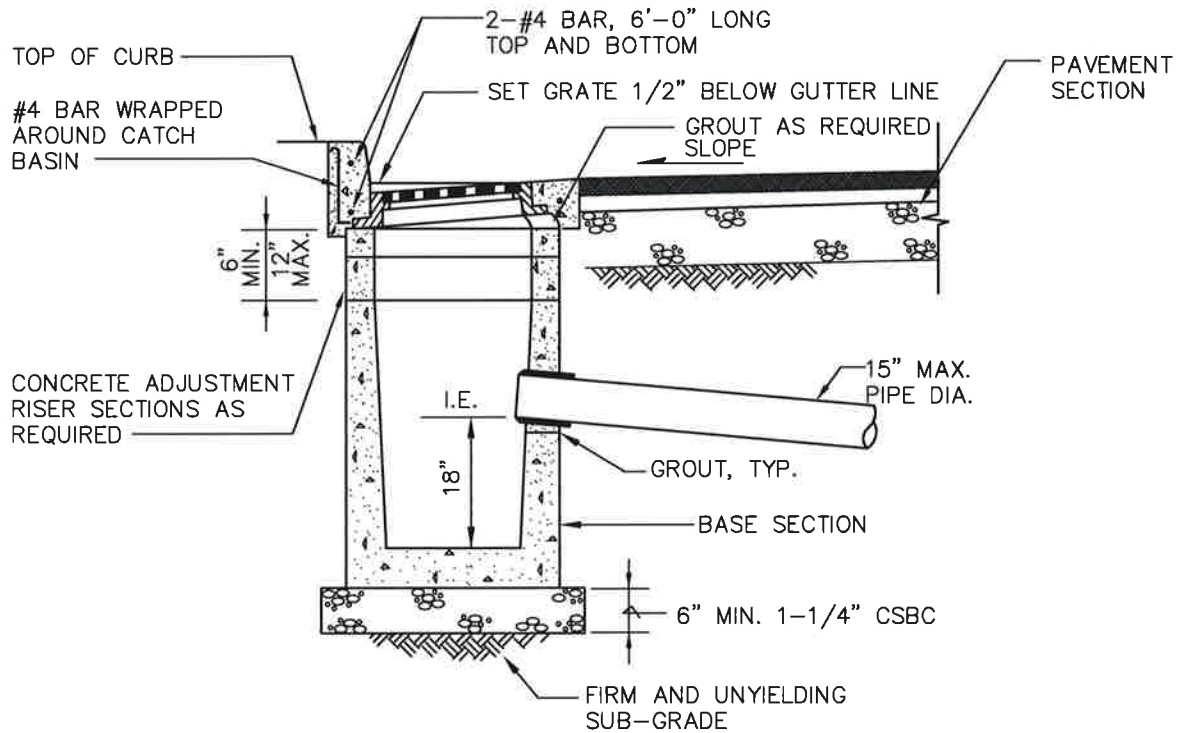
1. THE FRAME AND COVER SHALL BE EITHER A VANED, HERRINGBONE, OR SOLID LOCKING COVER AS INDICATED IN THE APPROVED PLANS OR AS DIRECTED BY THE CITY.

2. MATERIALS AND SPECIFICATIONS FOR FRAMES AND COVERS SHALL BE PER THE WSDOT STANDARD PLANS AND SPECIFICATIONS

2- #4 x 6' TOP AND BOTTOM, PLACE TOP BAR 3" FROM TOP OF THE CURB, PLACE BOTTOM BAR 3" FROM BOTTOM OF THE CURB



PLAN



ELEVATION

NOTES:

1. PRE-FORMED CONCRETE MASONRY BRICKS SHALL BE USED TO ADJUST RIM TO THE FINISHED GRADE.
2. TYPE I CATCH BASIN IS USED FOR DEPTHS LESS THAN 5'-0" FROM THE TOP OF THE GRATE TO I.E. (INVERT)

Approved:

March 16, 2018

City Engineer

Date

STORM DRAIN STANDARD DETAIL



Dwg No:

SD2

**CATCH BASIN
TYPE I**