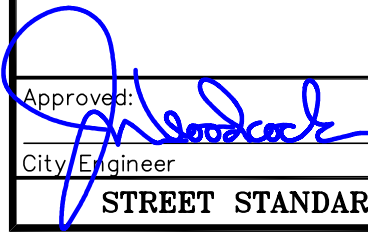

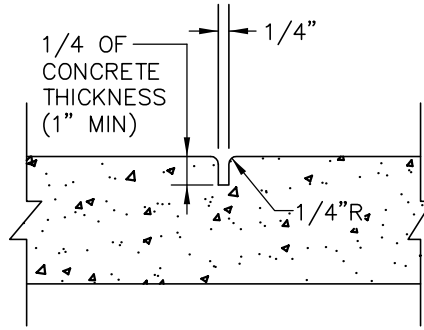


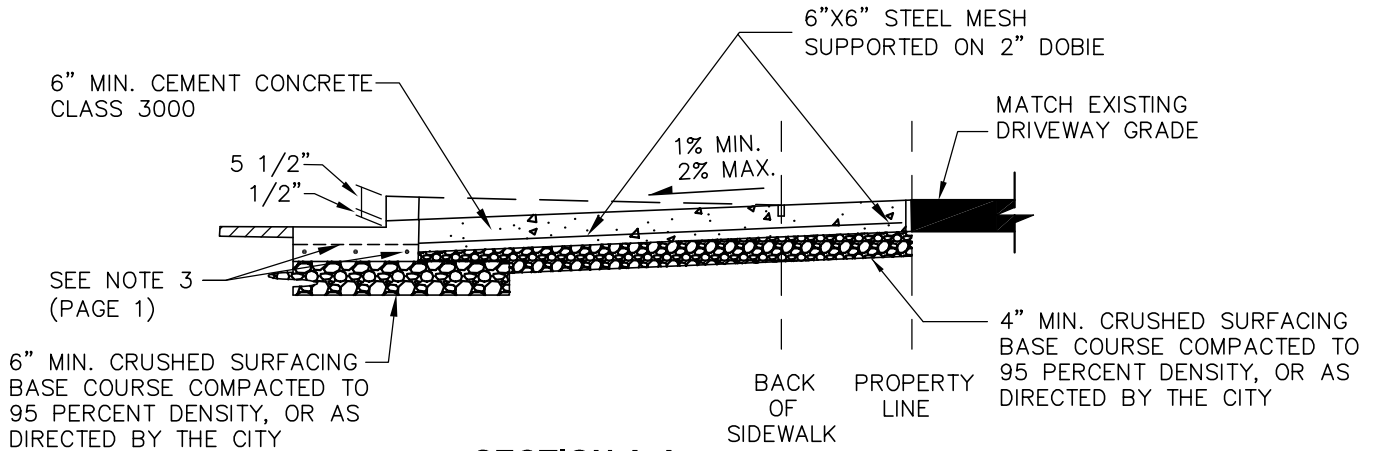
NOTES:

1. UNLESS OTHERWISE APPROVED, THE MINIMUM 4 FEET OF FULL HEIGHT CURB IS REQUIRED BETWEEN DRIVEWAY TAPER SECTIONS. WITH PRIOR WRITTEN APPROVAL FROM THE CITY, THE PARTIAL CURB HEIGHT MAY BE ALLOWED FOR SPECIAL CIRCUMSTANCES TO MEET CURRENT ADA REGULATIONS ONLY. ALL DEVIATIONS FROM THIS DETAIL TO MEET CURRENT ADA REGULATIONS MUST BE OBTAINED IN WRITING FROM THE CITY PRIOR TO ANY WORK BEING DONE.
2. ALL DRIVEWAYS NOT MEETING CURRENT ADA REGULATIONS WILL NOT BE ACCEPTED BY THE CITY.
3. FOR CONTINUOUS POUR INSTALLATION ONLY, INSTALL 1/4"x4" ASPHALT SATURATED FELT AT THE BOTTOM OF THE CURB AGAINST CRUSHED ROCK AT BOTH ENDS OF DRIVEWAYS AS SHOWN ON THE DETAIL ABOVE AND EVERY 10 FEET OUTSIDE OF DRIVEWAYS. A 2" MIN CONCRETE CLEARANCE IS REQUIRED BETWEEN CURB SURFACE AND TOP OF FELT MATERIAL. THE ASPHALT FELT IS NOT ALLOWED IF POURING AGAINST EXISTING CURB OR SIDEWALK, OR WITHIN THE DEPRESSED SURFACE OF DRIVEWAY APPROACH, AS SHOWN IN THE DETAIL ABOVE. IF POURING AGAINST EXISTING CURB, MUST INSTALL AND EPOXY #4 REBAR PER DETAIL ON PAGE 2.

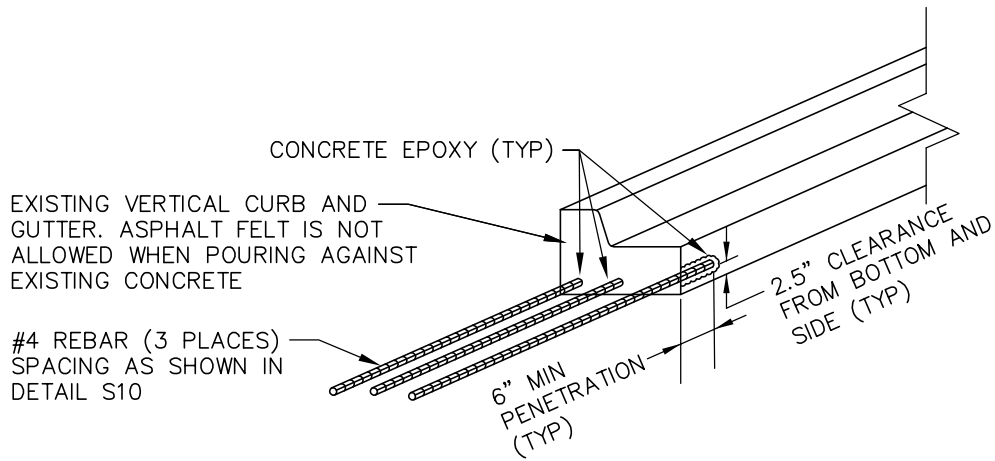
Approved:  City Engineer	March 16, 2018 Date		Dwg No: S9 CEMENT CONCRETE DRIVEWAY
STREET STANDARD DETAIL			



TYPICAL CONSTRUCTION JOINT



SECTION A-A



DESIGN ELEMENT	ROAD APPROACH CLASSIFICATION		
	MAJOR ROAD APPROACH	MINOR ROAD APPROACH	RES. ROAD APPROACH*
MIN. APPROACH WIDTH	24 FEET (15 FEET FOR ONE WAY)	24'	15'
MAX. APPROACH WIDTH	30'	30'	25'

*THE MAX. APPROACH WIDTH MAY BE EXTENDED TO 30' FOR A RES. ROAD APPROACH WITH A 3 OR MORE CAR WIDE GARAGE.

Approved: *[Signature]* March 16, 2018
 City Engineer Date



Dwg No: **S9**
CEMENT CONCRETE DRIVEWAY

STREET STANDARD DETAIL