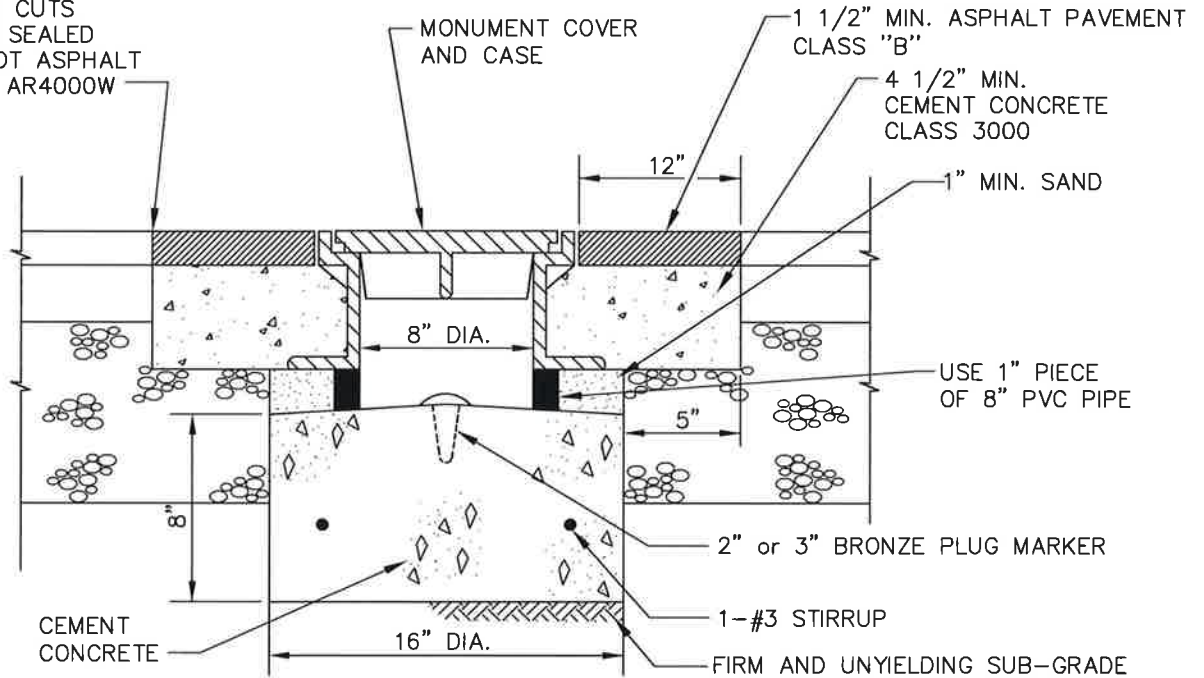


NOTES:

1. MACHINE BEARING FACES OF COVER AND CASE TO INSURE POSITIVE FIT.
2. MATERIAL SHALL CONFORM TO THE CURRENT WSDOT STANDARD SPECIFICATIONS.
3. PLUG SHALL BE STAMPED BY A WASHINGTON STATE LICENSED SURVEYOR.

NEAT LINE CUTS SHALL BE SEALED WITH A HOT ASPHALT EMULSION AR4000W



Approved:

March 16, 2018

City Engineer

Date

STREET STANDARD DETAIL



Dwg No:

S7

POURED IN PLACE MONUMENT