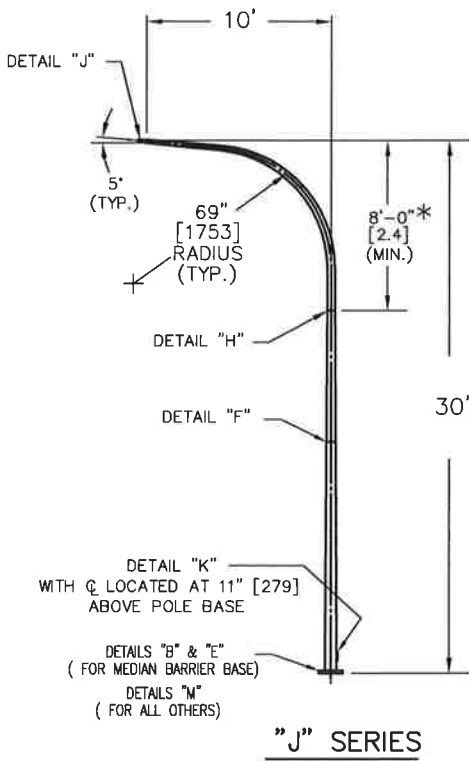
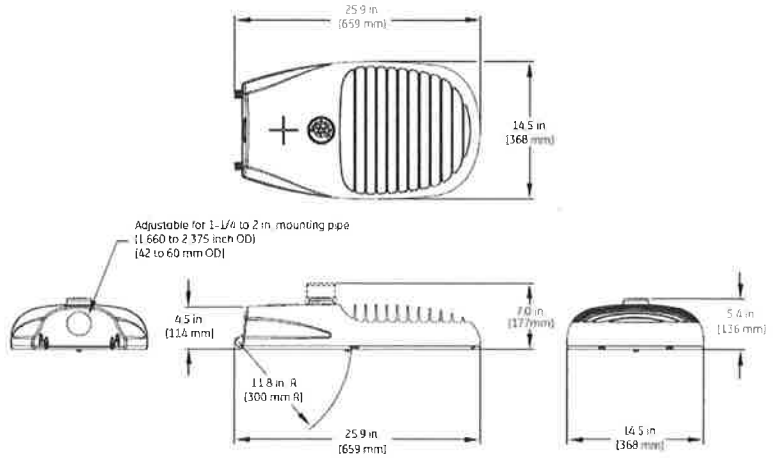


ITEM	QTY.	CATALOG NUMBER	-- POLE DATA --							SINGLE ARM			DOUBLE ARM		
			"H1"	"C"	TOP O.D. X BASE O.D.	MATERIAL BREAKDOWN				ANCHOR BOLT SIZE	HEX. HEAD BOLT SIZE	BOTTOM PL. THK.	ANCHOR BOLT SIZE	HEX. HEAD BOLT SIZE	BOTTOM PL. THK.
		J3010-3721	30' [9.14]	10'-0" [3.1]	4 3/4" X 7 7/8" [121 X 200]	.120" THK.	.170" THK.	.230" THK.	.3120" THK.	1" X 5/8" [25 X 137.2]	1-BNC X 5 1/2"	1 3/8" [35]	1" X 5/8" [25mm X 137.2mm]	1-BNC X 5 1/2"	1 3/8" [35]

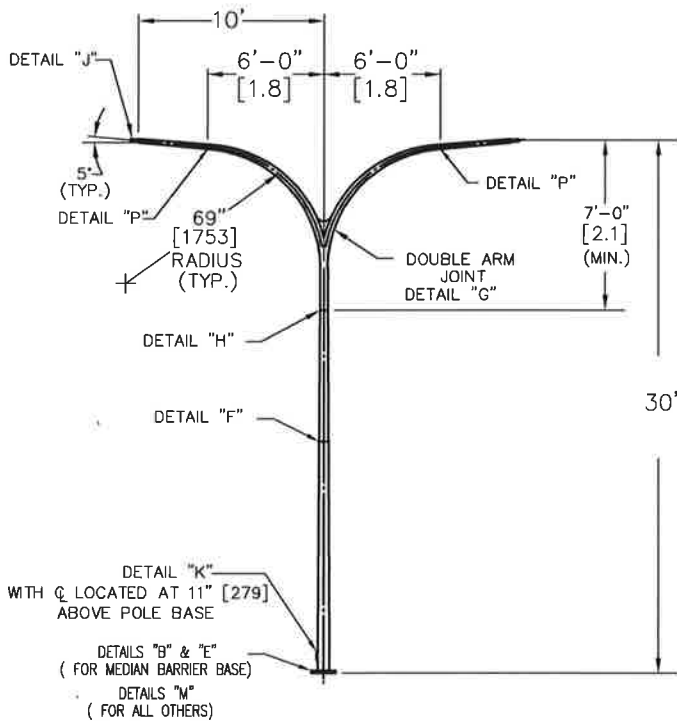


**EVOLVE ERS2 LED COBRAHEAD LUMINAIRE**



NOTES:

- 1) SEE PAGE 2 FOR POLE DETAILS
- 2) DIMENSIONS IN [ ] ARE METRIC. INCHES CONVERTED TO MILLIMETERS AND FEET TO METERS.
- 3) POLES SHALL BE PAINTED BLACK PER PSE-INTOLIGHT SPECIFICATIONS
- 4) FIXTURE SHALL BE GE LIGHTING SYSTEMS, INC EVOLVE ERS2 LED COBRAHEAD COLOR BLACK

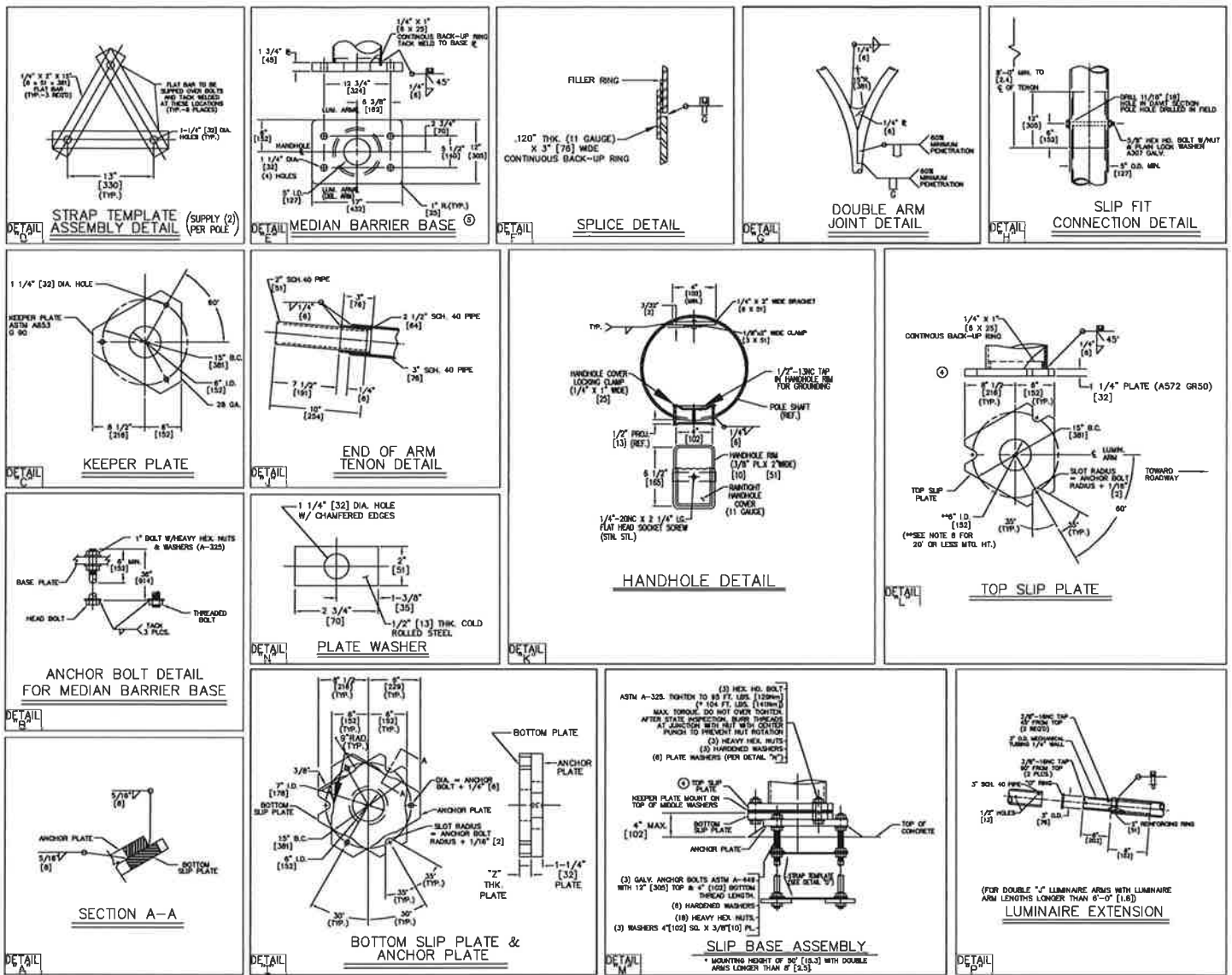


<b>Ameron</b> POLE PRODUCTS DIVISION			
STATE OF WASHINGTON			
"J" SERIES LIGHTING STANDARD			
DRAWN:	DATE:	SCALE DWG.NO.	REV.
APPR:	DATE:	N.T.S.	

Approved: *[Signature]* March 16, 2018  
 City Engineer Date  
**STREET STANDARD DETAIL**



Dwg No: **S19**  
**SR 410 STREET LIGHT**



**NOTES**

- WELD: ALL BUTT WELDS TO BE GROUND FLUSH WITH BASE METAL. WELDING OF STRUCTURES SHALL BE IN ACCORDANCE WITH THE CURRENT AASHTO "SPECIFICATIONS FOR STRUCTURAL SUPPORTS OF HIGHWAY SIGNS, LUMINAIRES AND TRAFFIC SIGNALS".
- FOR DOUBLE ARM POLE, INSERT THE LETTER "D" AFTER THE ARM LENGTH IN THE CATALOG NUMBER. EXAMPLE: J-4012D-DWG. NO.
- ALL WIREWAYS SHALL BE DEBURRED, ROUNDED AND SMOOTH FOR WIRE PROTECTION PURPOSES.
- THE TOP SLIP PLATE WITHOUT THE BOTTOM SLIP PLATE AND ANCHOR PLATE IS A FIXED BASE. WHEN FIXED BASE IS REQUIRED BY THE CONTRACT PLANS, ROTATE THE ANCHOR BOLT PATTERN SHOWN ON STANDARD PLAN "J-18" AND INSTALL THE TOP SLIP PLATE DIRECTLY UPON THE FOUNDATION.
- THE MEDIAN BARRIER BASE SHALL BE USED ON 40', 45' AND 50' LIGHTING STANDARDS WITH 12' MAXIMUM LENGTH DOUBLE ARMS.
- POLES WITH DOUBLE ARMS TO HAVE A 7 GA. THICKNESS ALL DAVIT SECTIONS ARE TO BE 11 GA.
- FOR POLES REQUIRING DIFFERENT POLE LENGTHS THAN SHOWN POLE DIAMETER SHALL BE ADJUSTED BY USING THE SAME POLE TAPER (0.14"/FT.).
- FOR 20' OR LESS MTG. HT., USE 5" I.D. FOR TOP SLIP PLATE.
- SUPPORTS COMPLY WITH AASHTO SPECIFICATION FOR STRUCTURAL SUPPORTS FOR HIGHWAY SIGNS, LUMINAIRES AND TRAFFIC SIGNALS. 4TH ED. 2001 W/90 MPH WIND

ORDERING INFO

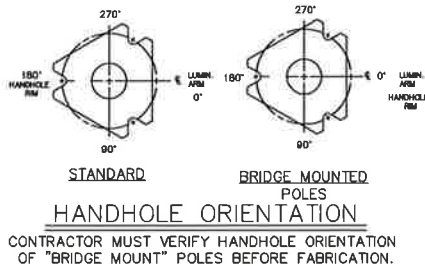
SERIES LUMINAIRE ARM LENGTH DWG. NO.

J-4010D-SB-3721

LUMINAIRE MOUNTING HEIGHT

D = DOUBLE ARM

SB = SLIP BASE  
 FB = FIXED BASE  
 BM = BRIDGE MOUNT  
 MB = MEDIAN BARRIER



MATERIAL SPECIFICATION	
SHAFT	STEEL OF 46,000 P.S.I. MINIMUM YIELD AFTER FABRICATION ASTM A-572 GR 50 ASTM A-585 GR A ASTM A-709 GR 50 ASTM A-1008 OR 50 ASTM A-1011 GR 50 THE ABOVE LISTED MATERIALS ARE USED BASED UPON AVAILABILITY AT THE TIME OF PURCHASE OF MATERIAL. LOTS FOR PRODUCING POLE AND ARM SHAPES
BOTTOM SLIP PLATE	ASTM A-572 GR 50 STEEL
ANCHOR PLATE	ASTM A-572 GR 50 STEEL
PIPE	ASTM A-53 GRADE "B" OR ASTM A-300 GRADE "B"
ANCHOR BOLTS	ASTM A-449
POLE FINISH	BLACK
HARDWARE FINISH	BLACK
WELDS	BUTT WELDS BY THE ELECTROSLAG PROCESS
WELDS	BUTT WELD WITH PERMANENT CIRCUMFERENTIAL TOP SLIP PLATE
TOP SLIP PLATE	ASTM A-572 GR 50 STEEL
MEDIAN BARRIER PL.	ASTM A-36 STEEL

AMERON POLE PRODUCTS DIVISION			
STATE OF WASHINGTON "J" SERIES LIGHTING STANDARD			
DRAWN	DATE	SCALE DWG. NO.	REV.
APPR	DATE		

Approved: *[Signature]* March 16, 2018  
 City Engineer Date  
**STREET STANDARD DETAIL**



Dwg No: **S19**  
**SR 410 STREET LIGHT**