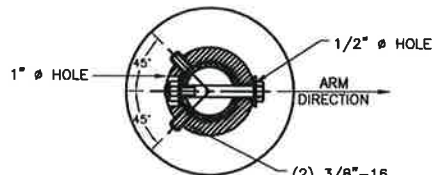


TENON DETAIL
SCALE: 4:1



TOP VIEW
SCALE: 4:1

① LUMINAIRE SPECIFICATIONS

CATALOGUE NO.: K56-C-P-FAAR-III-60(SSL)
-5000-120-KPL10

QUANTITY:
LANTERN TYPE: CLEVELAND
POLE ADAPTOR: PENDANT
OPTICAL SYSTEM: FLAT ARRAY ACRYLIC RIPPLED
IES LTG. CLASS.: TYPE III
INPUT WATTS: 60W
SOLID STATE LIGHTING

SERIES: 5000
CCT: 4500K
LINE VOLTAGE: 120V
PAINT: TEXTURED BLACK
OPTIONS: KPL-10 LEVELING DEVICE

BALLAST INFORMATION:

BALLAST TYPE: SUPPLIED
ELECTRONIC

OPTIONS:

QUICK DISCONNECT
TERMINAL BLOCK

OTHER: 273 JOULE @ 2mS 10kA-8/20uS
SURGE PROTECTION

② ARM SPECIFICATIONS

ARM SPECIFICATIONS

CATALOGUE NO.: KA30-T-1-8'
MAT'L: ALUMINUM
PAINT: BLACK

 King Luminaire • StressCrete • Est. 1953 STRESSCRETE GROUP		<u>Manufacturing Locations:</u> Burlington, Ontario 1-800-268-7809 Northport, Alabama 1-800-435-6563 Atchison, Kansas 1-800-837-1024 Jefferson, Ohio 1-800-268-7809	
PROJECT/CUSTOMER: PSE - BONNEY LAKE			
DRAWN BY: A. ALVELA	AT: SC1	CHECKED BY:	DATE: 05/29/12
DRAWING TYPE: APPROVAL/MFG. DWG.		DRAWING NUMBER: A07334-1	

1 OF 4

Approved:  March 16, 2018

City Engineer Date

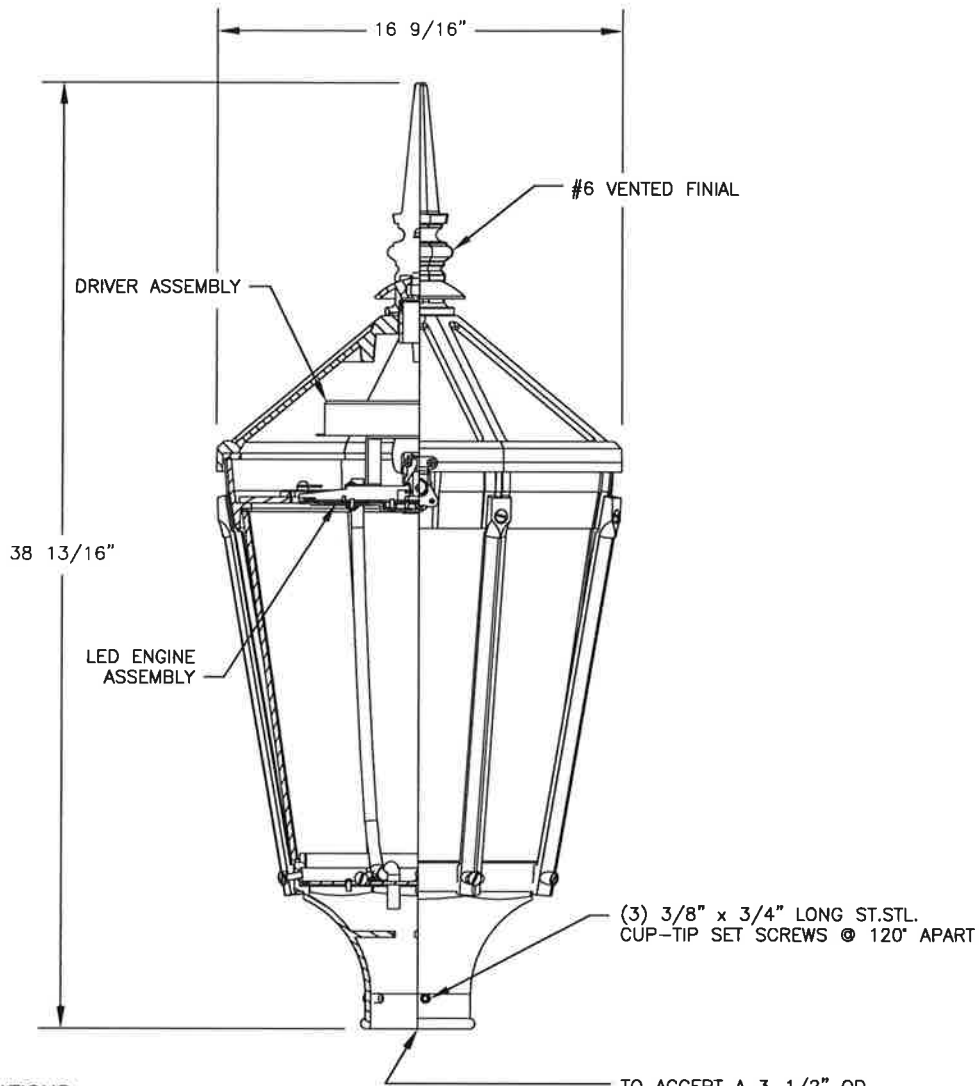
STREET STANDARD DETAIL



Dwg No:

S15

KING LUMINAIRE



FIXTURE SPECIFICATIONS

CATALOGUE NO.: K56-C-T-FAAR-III-75(SSL)
-8000-120

QUANTITY:
LANTERN TYPE: CLEVELAND
POLE ADAPTOR: T-STYLE
OPTICAL SYSTEM: FLAT ARRAY ACRYLIC RIPPLED
IES LTG. CLASS.: TYPE III
INPUT WATTS: 75W
SOLID STATE LIGHTING
SERIES: 8000
CCT: 4500K
LINE VOLTAGE: 120V
PAINT: TEXTURED BLACK
OPTIONS:



BALLAST INFORMATION:

BALLAST TYPE: SUPPLIED
ELECTRONIC


OPTIONS:

QUICK DISCONNECT
TERMINAL BLOCK

OTHER: 273 JOULE @ 2mS 10kA-8/20uS
SURGE PROTECTION

 		Manufacturing Locations: Burlington, Ontario 1-800-268-7809 Northport, Alabama 1-800-435-6563 Atchison, Kansas 1-800-837-1024 Jefferson, Ohio 1-800-268-7809	
King Luminaire • StressCrete • Est. 1953 STRESSCRETE GROUP			
PROJECT/CUSTOMER: BONNEY LAKE - PSE			
DRAWN BY: A. ALVELA	AT: SC1	CHECKED BY:	DATE: 04/20/12
DRAWING TYPE: CONCEPT DWG.		DRAWING NUMBER: 206A6756	

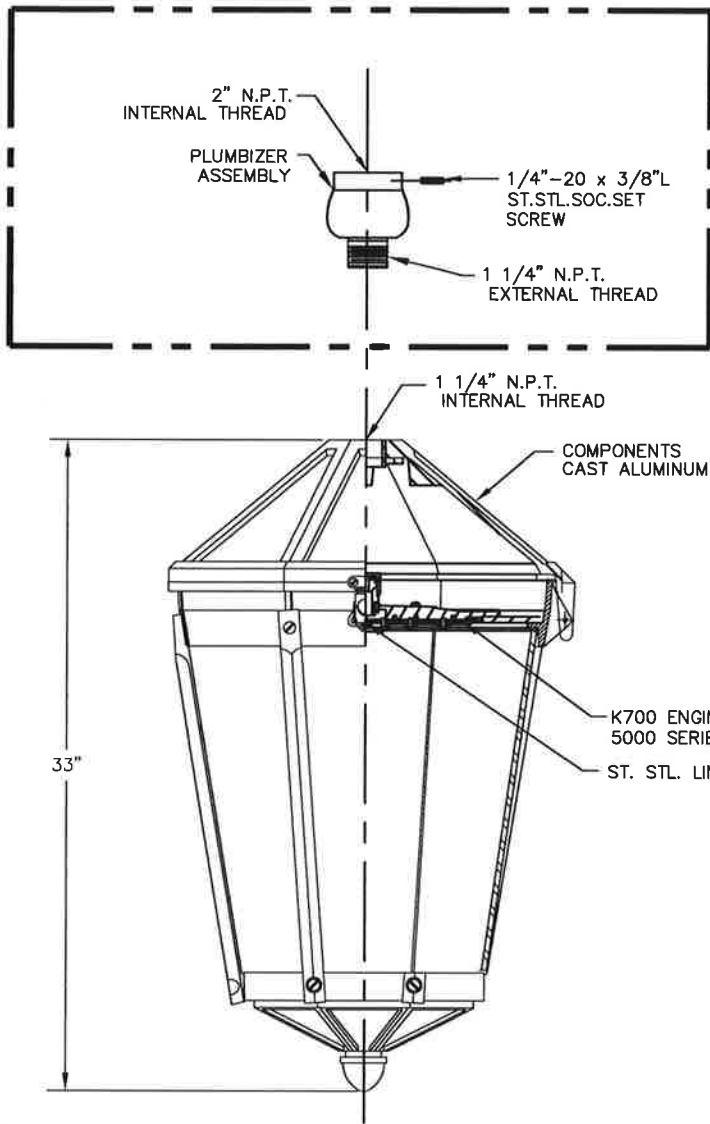
2 OF 4

Approved:  March 16, 2018
City Engineer Date

STREET STANDARD DETAIL



Dwg No: **S15**
KING LUMINAIRE



NOTE FOR KING OHIO
 TEFLON TAPE AND
 ASSEMBLE AT FACTORY
 PRIOR TO SHIPPING



FIXTURE SPECIFICATIONS

CATALOGUE NO.: K56-C-P-FAAR-III-60(SSL)
 -5000-120-KPL10 S/F PR
 QUANTITY:
 LANTERN TYPE: CLEVELAND
 POLE ADAPTOR: PENDANT
 OPTICAL SYSTEM: FLAT ARRAY ACRYLIC RIPPLED
 IES LTG. CLASS.: TYPE III
 INPUT WATTS: 60W
 SOLID STATE LIGHTING
 SERIES: 5000
 CCT: 4500K
 LINE VOLTAGE: 120V
 PAINT: TEXTURED BLACK
 OPTIONS: KPL-10 LEVELING DEVICE

BALLAST INFORMATION:

BALLAST TYPE: SUPPLIED
 ELECTRONIC
 OPTIONS:
 QUICK DISCONNECT
 TERMINAL BLOCK

OTHER: 273 JOULE @ 2mS 10kA-8/20uS
 SURGE PROTECTION

 		Manufacturing Locations: Burlington, Ontario 1-800-268-7809 Northport, Alabama 1-800-435-6563 Atchison, Kansas 1-800-837-1024 Jefferson, Ohio 1-800-268-7809	
King Luminaire • Stresscrete • Est. 1953 STRESSCRETE GROUP			
PROJECT/CUSTOMER: PSE-BONNEY LAKE			
DRAWN BY: A. ALVELA	AT: SC1	CHECKED BY:	DATE: 06/01/12
		REVISION:	
DRAWING TYPE: APPROVAL DWG.		DRAWING NUMBER: A07334-2	

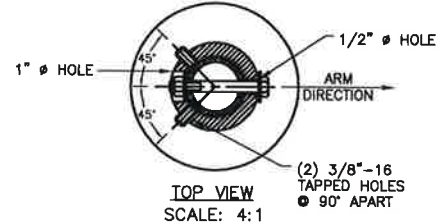
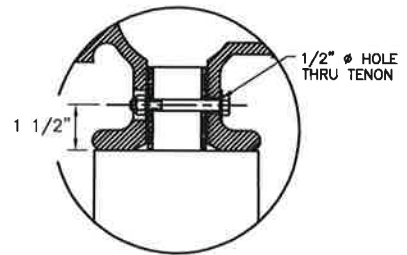
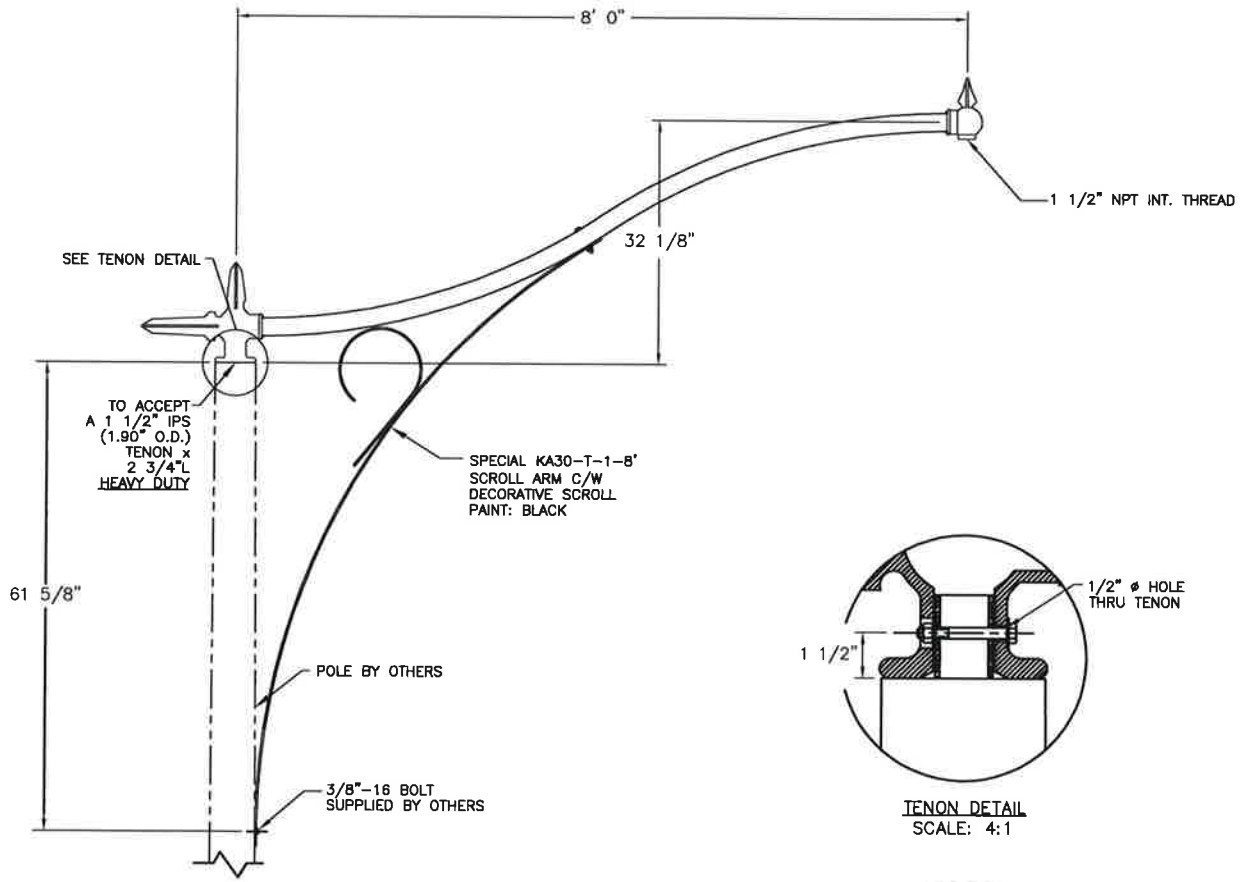
3 OF 4

Approved:  March 16, 2018
 City Engineer Date

STREET STANDARD DETAIL





Dwg No: **S15**
KING LUMINAIRE



ARM SPECIFICATIONS

CATALOGUE NO.: KA30-T-1-8'
 MAT'L: ALUMINUM
 PAINT: BLACK

  King Luminaire • StressCrete • Est. 1953 STRESSCRETE GROUP		<u>Manufacturing Locations:</u> Burlington, Ontario 1-800-268-7809 Northport, Alabama 1-800-435-6563 Atchison, Kansas 1-800-837-1024 Jefferson, Ohio 1-800-268-7809	
PROJECT/CUSTOMER: PSE – BONNEY LAKE			
DRAWN BY:	AT:	CHECKED BY:	DATE:
M.L.			05/12/05
DRAWING TYPE:		DRAWING NUMBER:	
CONCEPT DWG		206A2914-4	

4 OF 4

Approved:  March 16, 2018
 City Engineer Date
STREET STANDARD DETAIL



Dwg No: **S15**
KING LUMINAIRE