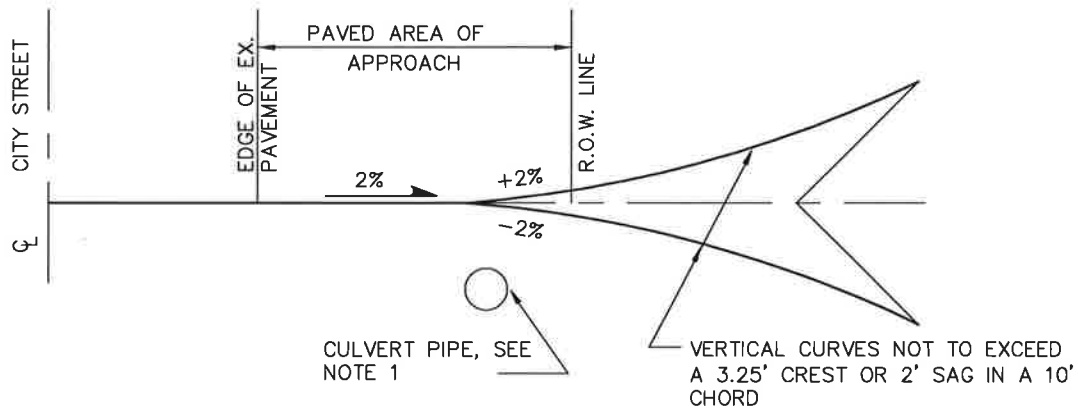


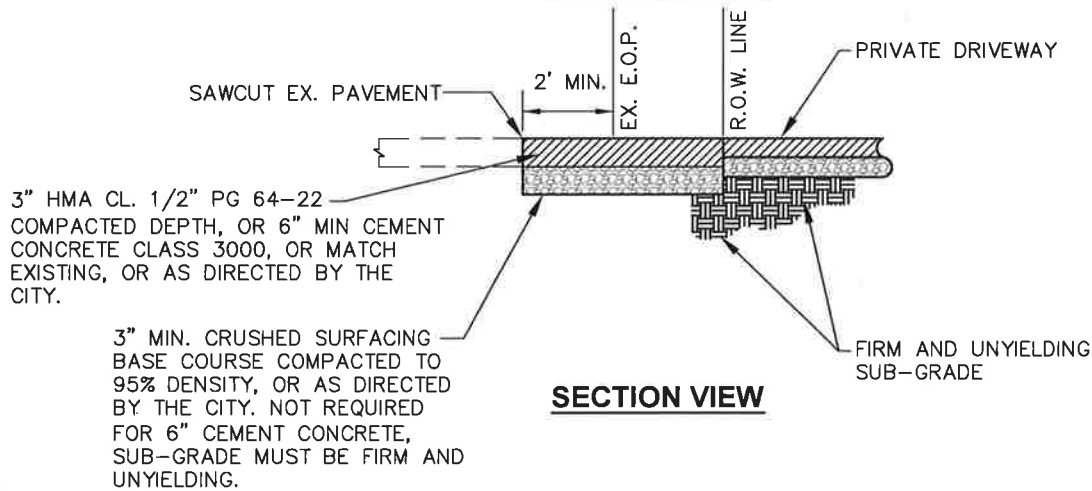
SAWCUT EXISTING PAVEMENT (FOR ASPHALT PAVING—MIN. 12" OFF EX. EDGE IS REQUIRED, FOR CONCRETE PAVING—MAX. 4" OFF EX. EDGE, OR AS DIRECTED BY THE CITY)

PLAN VIEW


RESTORE EXISTING PAVEMENT WITH 3" MIN. HMA CL. 1/2" PG 64-22 OVER 6" CSBC OR MATCH EXISTING PAVEMENT SECTION, WHICHEVER IS GREATER. CLEAN AND TACK EDGES WITH SEALER CSS1 AND SEAL JOINTS WITH HOT ASPHALT CEMENT AR4000W.



PROFILE VIEW

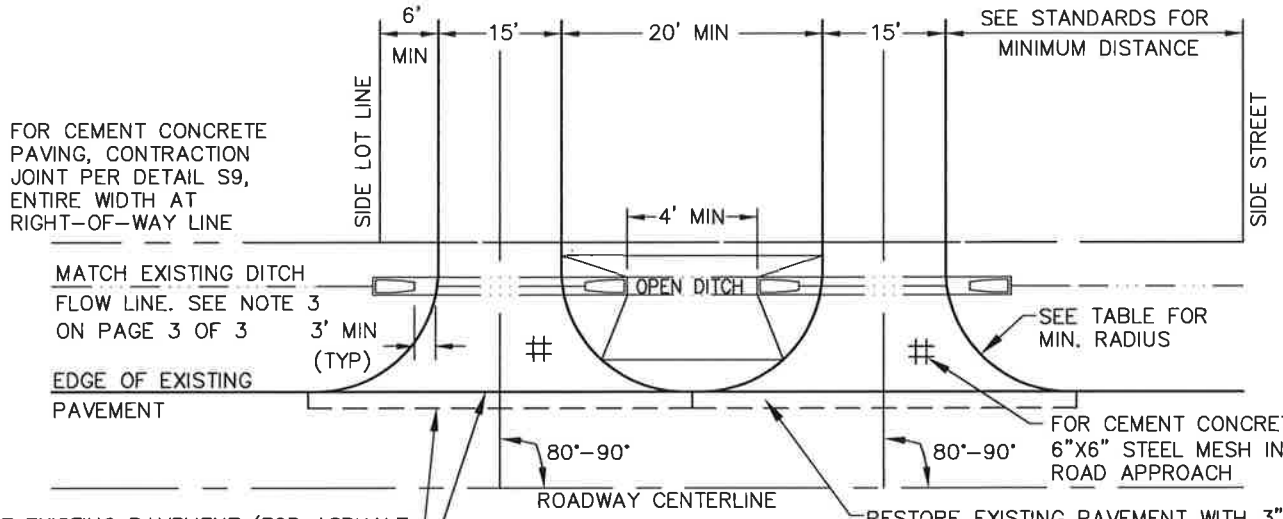


SECTION VIEW

Approved:  March 16, 2018
 City Engineer Date



Dwg No: **S11**
ROAD APPROACH



FOR CEMENT CONCRETE PAVING, CONTRACTION JOINT PER DETAIL S9, ENTIRE WIDTH AT RIGHT-OF-WAY LINE

MATCH EXISTING DITCH FLOW LINE. SEE NOTE 3 ON PAGE 3 OF 3
 3' MIN (TYP)
 EDGE OF EXISTING PAVEMENT

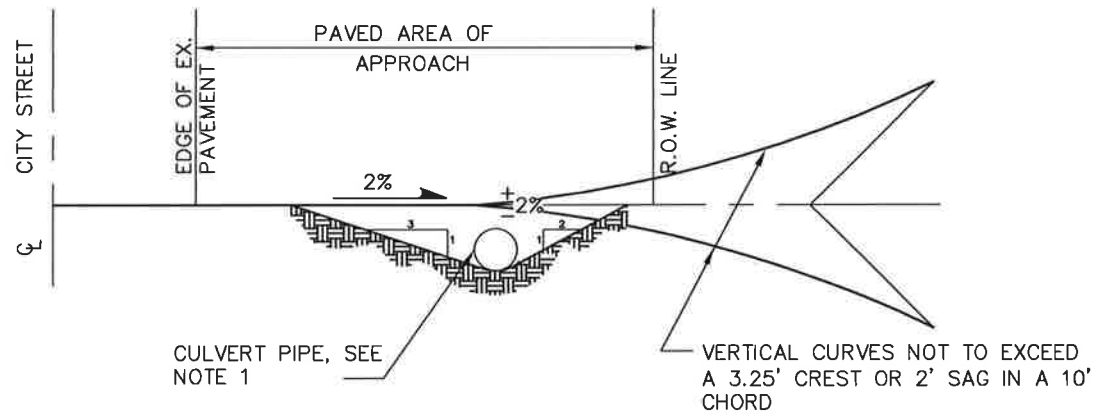
SEE TABLE FOR MIN. RADIUS

FOR CEMENT CONCRETE, 6"X6" STEEL MESH IN ROAD APPROACH

SAWCUT EXISTING PAVEMENT (FOR ASPHALT PAVING—MIN. 12" OFF EX. EDGE IS REQUIRED, FOR CONCRETE PAVING—MAX. 4" OFF EX. EDGE, OR AS DIRECTED BY THE CITY)

PLAN VIEW

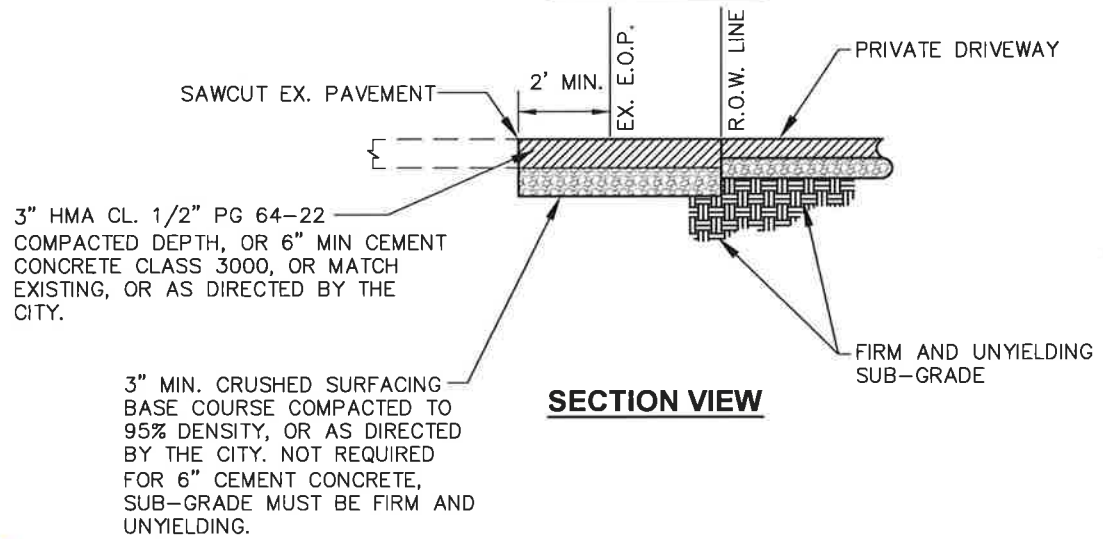
RESTORE EXISTING PAVEMENT WITH 3" MIN. HMA CL. 1/2" PG 64-22 OVER 6" CSBC OR MATCH EXISTING PAVEMENT SECTION, WHICHEVER IS GREATER. CLEAN AND TACK EDGES WITH SEALER CSS1 AND SEAL JOINTS WITH HOT ASPHALT CEMENT AR4000W.



CULVERT PIPE, SEE NOTE 1

VERTICAL CURVES NOT TO EXCEED A 3.25' CREST OR 2' SAG IN A 10' CHORD

PROFILE VIEW

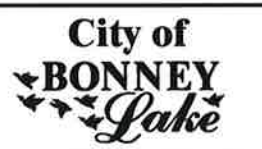


3" HMA CL. 1/2" PG 64-22
 COMPACTED DEPTH, OR 6" MIN CEMENT CONCRETE CLASS 3000, OR MATCH EXISTING, OR AS DIRECTED BY THE CITY.

3" MIN. CRUSHED SURFACING BASE COURSE COMPACTED TO 95% DENSITY, OR AS DIRECTED BY THE CITY. NOT REQUIRED FOR 6" CEMENT CONCRETE, SUB-GRADE MUST BE FIRM AND UNYIELDING.

SECTION VIEW

Approved: *[Signature]* March 16, 2018
 City Engineer Date
STREET STANDARD DETAIL



Dwg No: **S11**
ROAD APPROACH

RESIDENTIAL ROAD APPROACH

DESIGN ELEMENT	MAJOR ROAD APPROACH	MINOR ROAD APPROACH	RES. ROAD APPROACH
MIN. APPROACH RADIUS	AS APPROVED	25'	10'
MIN. APPROACH WIDTH	24 FEET (15 FEET FOR ONE WAY)	24'	15'
MAX. APPROACH WIDTH	30'	30'	25' (*SEE NOTE BELOW)

*THE MAX. APPROACH WIDTH MAY BE EXTENDED TO 30' FOR A RES. ROAD APPROACH WITH A 3-CAR OR MORE WIDE GARAGE.

NOTES:

1. CULVERT PIPE SHALL BE CONCRETE OR SMOOTH DOUBLE WALL HDPE WITH LOCKING JOINTS. PIPE WITH LESS THAN 24" OF COVER SHALL BE H20 TRAFFIC RATED PIPE SUCH AS DUCTILE IRON PIPE CLASS 50, CONCRETE CLASS V OR AS APPROVED BY THE CITY PER MANUFACTURER'S RECOMMENDATION.
2. STORMWATER RUNOFF FROM THE PUBLIC RIGHT OF WAY SHALL NOT BE PERMITTED TO DRAIN ONTO PRIVATE PROPERTY. CATCH BASINS OR OTHER DRAINAGE DEVICES MUST BE USED TO INTERCEPT AND DIVERT THE WATER BEFORE IT LEAVES PUBLIC RIGHT OF WAY.
3. THE STORMWATER RUNOFF FROM PRIVATE PROPERTY MUST BE CONTAINED ON SITE AND MUST NOT BE PERMITTED TO DRAIN INTO PUBLIC RIGHT OF WAY OR NEIGHBORING PROPERTY. CATCH BASINS OR OTHER DRAINAGE DEVICES MUST BE USED TO INTERCEPT AND DIVERT THE WATER BEFORE IT LEAVES THE PRIVATE PROPERTY.
4. STORMWATER MANAGEMENT SHALL BE PER CURRENT PIERCE COUNTY STORMWATER AND SITE DEVELOPMENT MANUAL.
5. EXISTING DITCH SECTIONS AND/OR CULVERTS SHALL BE MAINTAINED. SUB-STANDARD OR NON-EXISTENT DITCH SECTIONS SHALL BE CONSTRUCTED TO CITY STANDARDS AND EXTENDED TO EACH PROPERTY LINE. SUB-STANDARD CULVERTS SHALL BE REPLACED AS DIRECTED BY THE CITY.
6. FOLLOW ADDITIONAL INSTRUCTIONS AS DIRECTED BY THE OPERATIONS AND MAINTENANCE SUPERVISOR AS STATED ON THE APPROVED PERMIT.
7. IF SIDE SEWER CLEAN-OUT RISER IS IN THE TRAVELED AREA OF THE ROAD APPROACH, IT MUST HAVE A TRAFFIC ENCLOSURE.
8. THE CITY INSPECTOR SHALL INSPECT FORMS AND/OR SUB-GRADE PRIOR TO PAVING.
9. CULVERT SHALL BE SET AT THE BOTTOM OF THE DITCH (APPROXIMATELY 18"-24" BELOW THE EDGE OF THE ROAD, OR AS DETERMINED BY THE CITY.
10. CRUSHED ROCK SHALL BE USED TO FILL AND SUPPORT THE EDGES OF THE DRIVEWAY AND ALL EXCESS CONCRETE SHALL BE REMOVED FROM THE RIGHT-OF-WAY.
11. CULVERT SHALL BE 12" MINIMUM DIAMETER, OR AS DETERMINED BY THE CITY.
12. CULVERT ENDS SHALL BE CUT TO A 3:1 INCLINED TAPER.

Approved:  March 16, 2018
 City Engineer Date
STREET STANDARD DETAIL



Dwg No: **S11**
ROAD APPROACH