

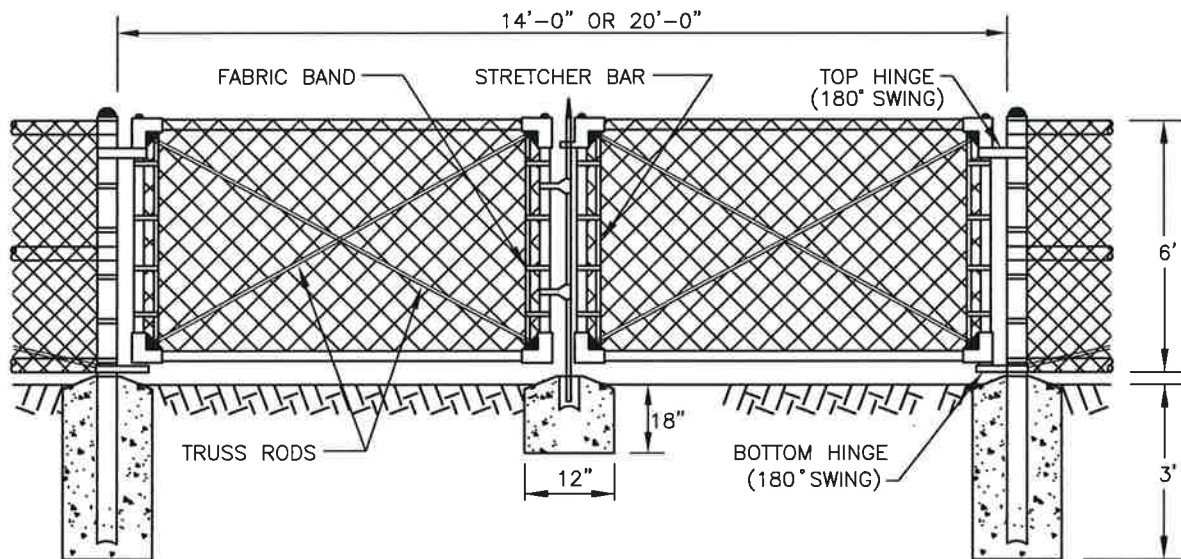
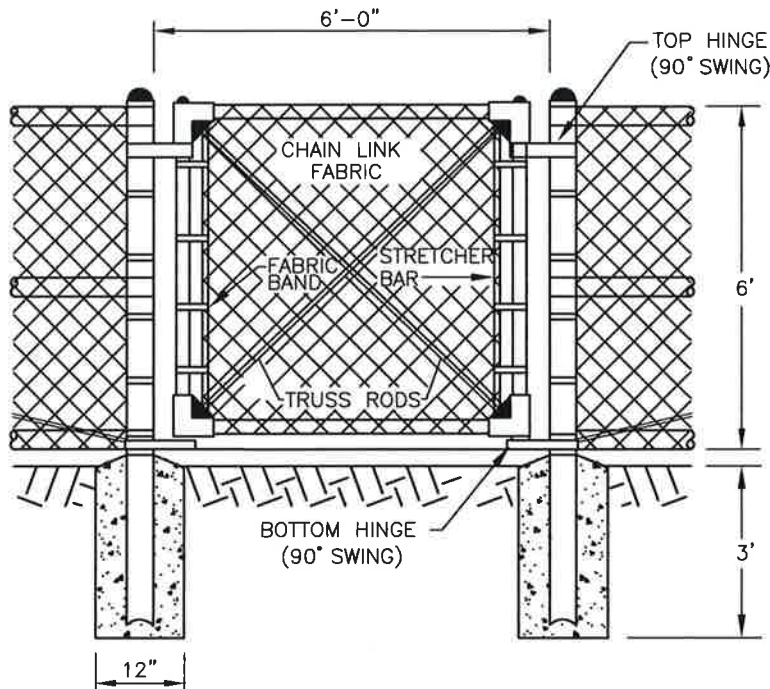
NOTES:

1. ALL CHAIN LINK FENCE SHALL BE TYPE 1 SEVENTY-TWO INCH (72") WITH BOTTOM RAIL PER WSDOT STANDARD PLAN FS-2. CHAIN LINK FENCE FABRIC SHALL HAVE A BLACK VINYL COATING. SPECIFICATIONS - NOTE 3.
2. CHAIN LINK GATE SHALL BE AS SHOWN ON PAGE 2. PER SECTION 9-16.1(1) AND AS AMENDED BY NOTE 3.
3. SECTION 9-16.1(1) SHALL BE SUPPLEMENTED WITH THE FOLLOWING: IN ADDITION TO MEETING THE COATING AND MATERIAL REQUIREMENTS OF SECTION 9-16 OF THE STANDARD SPECIFICATIONS, ALL FENCE AND GATE PARTS OF FENCE NOTED AS VINYL COATED SHALL HAVE A BLACK VINYL CLAD COATING AND ALL PARTS MATCH IN COLOR. COATING OF FABRIC SHALL BE EXTRUDED/BONDED OF 0.015 INCH THICKNESS. COATING FOR POSTS AND RAILS SHALL BE 3 MIL POWDER COAT. ALL BOLTS, NUTS, AND WIRE TIES SHALL BE POWDER COATED TO MATCH THE COLOR OF THE FENCE FABRIC.

Approved: *[Signature]* March 16, 2018
 City Engineer Date
MISCELLANEOUS STANDARD DETAIL




Dwg No: **M1**
SWING GATE AND FENCE DETAILS



NOTES:

1. FENCE FABRIC SHALL BE SECURED TO GATE FRAMES WITH TWISTED AND BARBED SELVAGE ALONG TOP EDGE FOR TYPE 1 CHAIN LINK FENCE INSTALLATION.
2. MINIMUM POST LENGTH: 8'-8"
3. SECTION 9-16.1(1) SHALL BE SUPPLEMENTED WITH THE FOLLOWING: IN ADDITION TO MEETING THE COATING AND MATERIAL REQUIREMENTS OF SECTION 9-16 OF THE STANDARD SPECIFICATIONS, ALL FENCE AND GATE PARTS OF FENCE NOTED AS VINYL COATED SHALL HAVE A BLACK VINYL CLAD COATING AND ALL PARTS MATCH IN COLOR. COATING OF FABRIC SHALL BE EXTRUDED/BONDED OF 0.015 INCH THICKNESS. COATING FOR POSTS AND RAILS SHALL BE 3 MIL POWDER COAT. ALL BOLTS, NUTS, AND WIRE TIES SHALL BE POWDER COATED TO MATCH THE COLOR OF THE FENCE FABRIC.

Approved:  March 16, 2018
 City Engineer Date
MISCELLANEOUS STANDARD DETAIL



Dwg No: **M1**
SWING GATE AND FENCE DETAILS